

V1182-3617-C6R-P

LENS, 6MP, 1/1.8", F=3.6-17MM, F1.5 ~ 2.8, P IRIS

Infinova[®]



FEATURES

- 6MP
- P iris
- 1/1.8" Sensor
- 3.6~17 mm focal length, for many applications
- Operating temperature ranges from -20°C to +60°C
- Compact structure, easy to install

V1182-3617-C6R-P series P iris lens which features wide aperture of F1.5~ F2.8 and focal length of 3.6-17mm is of many kinds of applications. It is able to work under the condition of -20°C~+60°C. Its compact structure makes it easy to install.

TECHNICAL SPECIFICATIONS

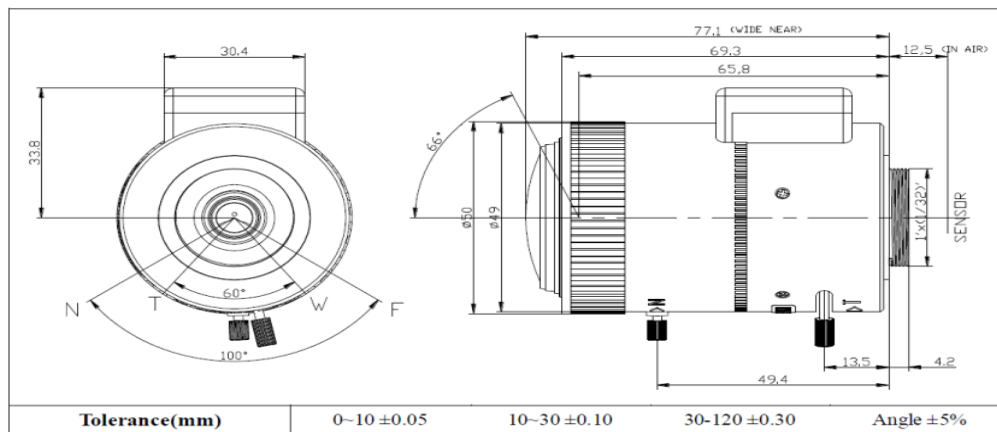
Resolution	6MP			
Image Circle	1/1.8"			
Focal Length	3.6mm(W)~17mm(T)			
Aperture (F/#)	F1.5(W)-F2.8(T)			
Focus range	0.3m-INF			
TV distortion	-18% (1/1.8" 4:3)			
FOV (M.O.D)	COMS	D	H	V
	IMX185 1080P	126~31°	107~27°	58~15°
	IMX178 2592x1944	118~29°	91~23°	67~18°
	IMX178 3072x1728	130~32°	110~27°	59~16°
FOV (Focus on INF)	COMS	D	H	V
	IMX185 1080P	120~33°	101~29°	55~16°
	IMX178 2592x1944	112~31°	86~25°	64~19°
	IMX178 3072x1728	123~34°	104~29°	56~17°
	COMS	D	H	V
	IMX226 4K	124~30°	105~27°	57~15°
	COMS	D	H	V
	IMX226 4K	118~32°	100~29°	54~16°

Mount	CS Mount	
Lens structure	8 groups, 11 elements	
Total track length	89mm (W)	
Flange focal length	12.3mm (W) ~ 12.7mm (T)	
Back focal length	8.4mm	
Weight	123g	
Operation	Focus	Manual
	Zoom	Manual
	Iris	P Iris
Unit Dimensions (H×Ø)	77.1mmX50mm	
Storage temperature	-30°C ~ 70°C; 10 ~ 95%RH	
Operating temperature	-20°C ~ 60°C; 10 ~ 95%RH	

ORDERING INFORMATION

V1182-3617-C6R-P Lens, 6MP, 1/1.8", f=3.6-17mm, F1.5 ~ 2.8, CS Mount, P Iris

DIMENSIONS



1. Connector and Cord Specification

	1	B
	2	A
	3	A-
	4	B-
Connector	Square 4pin	JEITA Standard
	Cable Length	250mm

2. P-Iris Specification

Stepping Motor	Motor Type	PM type stepping motor
	No. of Phases	2 phases
	2-2 phases	Drive excitation
	No. of Iris steps	87±5 steps
	Coil Resistance	28.5Ω/phase, at 20°C
Operating	Storage Temperature	-30 ~ 70°C
	Operation Voltage	2.6 ~ 3.8V
	Operation Frequency	200 ~ 800pps
	Operation Temperature	-20 ~ 60°C

3. Iris

Pin	Step			
	1	2	3	4
A	H	L	L	H
A-	L	H	H	L
B	H	H	L	L
B-	L	L	H	H

Iris Open → Close: 1 → 2 → 3 → 4 → 1...

Iris Close → Open: 4 → 3 → 2 → 1 → 4...