

# V1405-10SHBP Series

## Indoor/Outdoor Camera Housing

**Infinova**<sup>®</sup>  
The Integrator's Manufacturer



- **Polycarbonate**
- **Indoor/outdoor installations**
- **IK10&IP66 standard**
- **Easy installation and maintenance**

Side opening housing V1405-10SHBP have been designed and manufactured to protect cameras against water and dust present in the atmosphere. The housings have been produced using highest quality polycarbonate materials.

The care taken during their manufacture ensures maximum durability and reliability, future to an easy installation and services.

## Technical specifications

### Electrical

Input Power DC 12V/30W & POE Power IEEE802.3at

### Physical

Weight 2KG

Material Housing: Flame Retardant Plastic (ABS)  
Window: Glass

Dimension External Size: 150.8(W)x136.7(H)x385(D)  
Internal Size: 78.9(W)x67.1(H)x273(D)

Options Blower (B) / Heater (H) / Sun-shield (S) /PoE (P)

Accessory 1/4-20UNC Screws (2ea), Spring Washer (1ea), Flat Washer (1ea), Wrench (1ea)

### Environmental

Heater Blower Switch on  
1. Heater: ON 5°C±5 °C; OFF 15°C±5°C Blower at the same time open or close  
2. Blower: ON 35°C±2°C; OFF 30°C±2°C

Environment Indoor/outdoor

Water Proof IP66

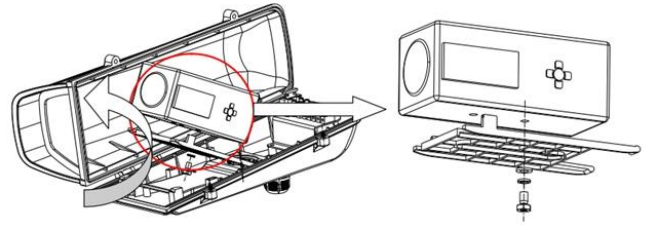
Temperature -20°C ~+50°C

Humidity 0~95%

### Certifications and Approval

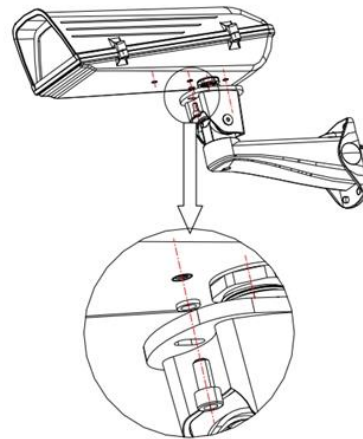
Product Certifications CE, FCC, ISO 9001: 2008

## Camera/Lens installation



- Open the housing-Use a provided Wrench to remove the upper screws from the lower.
- Remove tray form the housing.
- Use the screws and flat washer and spring washer fix the camera and lens like below picture 2.
- Fix the tray and Camera in to the housing and make sure to tighten all the screws and fittings.

## V1573 Cable Management Mount



## Ordering information

V1405-10SHBP Camera housing, indoor/outdoor, IP66

## Dimensions (unit: mm)

