

V1492MR-T Series

HD 2MP Integrated IP PTZ Camera with IR Illuminators

Infinova[®]
The Integrator's Manufacturer



- **Built-in with 20X HD integrated camera module**
- **Resolution up to 1920×1080@30fps**
- **Three Simultaneous Video Streams: Dual H.264 high profile & Scalable M-JPEG**
- **Two-way audio, G.711-U/G.711-A**
- **High-performance IR illuminators (wavelength: 850 nm) for super night vision, with an IR range of 660 ft. (200m)**
- **Automatically adjust the power consumption of IR LED as per the camera zoom level to deliver outstanding image quality**
- **Supports infrared light focusing, to avoid virtual focus**
- **Remote PTZ control**
- **Supports area zoom, image PTZ, and image overlapping**
- **Supports E-zoom**
- **Multiple white balance modes**
- **Supports defog processing**
- **Supports Presets, AutoPans, Patterns, AutoScan, Timed Tour, Normal Tour and Home Return**
- **Privacy mask, motion detection**
- **Alarm function (2 alarm inputs and 1 relay output)**
- **Local recording, video buffer recording, storage to SD card**
- **Heartbeat loss monitoring, linkable to SD card recording**
- **Onvif Profile S compliant**
- **Supports RS485 remote control and analog video output**
- **High strength aluminum-alloy casting, heat and corrosion resistant**
- **Window wiper, built-in heater and window defroster**
- **Operational in 90mph wind conditions, withstanding wind velocity of up to 130mph**
- **IP66 environmental rating**
- **Upgrade online**

V1492MR-T series HD 2MP Integrated IP PTZ Camera with IR Illuminators features a set of full digital real-time image acquisition system to deliver clear image at high frame rate and excellent signal-to-noise ratio.

V1492MR-T series supports H.264 and M-JPEG compression formats, available with three simultaneous video streams. The PTZ cameras are compatible with 20X HD camera module, with the resolution up to 1920×1080@30fps.

The PTZ cameras offer a user-friendly GUI interface, which makes it easy to adjust the video parameters and perform the PTZ operation. In addition, functions like area zoom and image PTZ are also available.

The PTZ cameras use imported high efficiency IR LED, with wavelength of 850 nm and IR effective range up to 660ft. (200 m). The power consumption of the IR LED can be automatically adjusted as per the zoom level of the camera, so as to deliver an ideal night vision effect. Besides, the IR LEDs have high stability, which can be used for a long time, and can reduce maintenance costs.

The PTZ cameras also feature such functions as Presets, Patterns, AutoPans, AutoScan and Normal Tour.

Its powder-coated aluminum construction, absolute operating temperature range of -40°F~140°F (-40°C~60°C) and built-in heater and defroster automatically enabled at low temperatures makes it an ideal surveillance solution for both indoor and outdoor applications.

Technical specifications

Models	
V1492MR-20T2Y	
Lens	
Optical Zoom	20X
Aperture/Focal Length	F1.6~F3.5, f=4.7~94mm
Angle of View (H)	59.5° (Wide) ~ 3.3° (Tele)
Min. Work Distance	0.01m (Wide)~ 1.0m (Tele)
Camera	
Image Sensor	1/2.8" CMOS
Scanning System	Progressive scanning
Effective Pixels	2.0Mpx
S/N Ratio	>50dB
Sensitivity	Color mode: 0.01 lux (1/30 sec, 50%, high sens mode ON) 0.0013 lux (1/4 sec (1/3 sec), 50%, high sens mode ON) B/W mode: 0 lux (IR on)
Sync System	Internal
Iris	Auto, Manual, M/A
Focus	Auto, Manual, M/A
Shutter	Auto (1/1s~1/10000s)
DSS	Available
Image	
Max. Resolution	1920×1080@30fps
Image Mirror	Off/H-mirror/V-mirror/HV-mirror
DNR	OFF/level 1~5
White Balance	AUTO/MANU/INDOOR/OUTDOOR/ATW/OUTDOOR AUTO/SODIAUTO
AGC	Available
WDR	Off/VE
BLC	ON/OFF
Others	Sharpness adjustable, slow AE, high sens, high resolution, color hue, saturation, HLC level, HLC mask level
Operational	
Presets	1~255
Patterns	4
Autopans	4
Normal Tours	6 (each tour can be associated with 14 actions, including Preset 1~32, Pattern 1~4, or AutoPan 1~4)
Home Return	Available
Timed Tours	Available
Auto Scan	Available
Motion Detection	4 areas
Privacy Mask	20T2Y: 4 areas
Alarm	2 alarm inputs, 1 relay output
Area Zoom	Available
Web Server	Available
Upgrade Online	Available
Compression	
Audio Compression	G.711-U/G.711-A
Video Compression	H.264 High profile/M-JPEG

Interface	
Audio Port	1 input (Linear level, resistance: 1000 Ohm) 1 output (Linear level, resistance: 600 Ohm)
Network Port	1 RJ-45 10M/100M self-adaptive Ethernet Port
Network	
Data Rate	Variable bit rate (vbr); Constant bit rate (cbr): 256Kbps~10Mbps
Network Delay	<300ms
Network Protocol	IPv4/IPv6, TCP, UDP, IGMP, DHCP, FTP, SNMP(V3), SMTP, NTP, RTP, RTSP, RTCP, HTTP, HTTPS, TSL, SSL, 802.1X, QoS, PPPoE, DNS, ARP, ICMP, DDNS, UPnP
Mechanical	
Variable Speed	Pan: 0.1°~30°/s; Tilt: 0.1°~20°/s
Preset Speed	60°/s (max.)
Preset Accuracy	±0.3°
Rotation Angle	Pan: 360°; Tilt: +40° ~ -80°
Electrical	
Power Supply	24VDC/24VAC
Power Consumption	<110W(w/ heater)
Environmental	
Atmospheric Pressure	≤1.5MPa
Operating Temp.	-40°F~140°F (-40°C~+60°C)
Storage Temp.	-4°F~140°F (-20°C~+60°C)
Operating Humidity	0~95%RH (non-condensing)
Defogger	Thermostatically controlled: Turns on below 59°F (15°C); Turns off above 68°F (20°C)
Physcial	
Construction	High-strength aluminum alloy, stainless steel
Environmental Rating	IP66
IR LED	Wave length: 850nm; Coverage distance: 660ft (200m)
Mounting	Surface, wall, pole side, corner, pole top
Window Type	HD transparent glass
Window Size	2.32" × 2.32" (59mm×59mm)
Unit Weight	48.50lbs. (22kg)
Shipping Weight	55.12lbs. (25kg)
Unit Dimensions (L×W×H)	19.26"×13.79"×18.11" (489.2 mm×350.2 mm×460 mm)
Box Dimensions (L×W×H)	24.21"×23.03"×13.00" (615mm×585mm×330 mm)(for camera) 11.42"×8.27"×5.91" (290mm×210mm×150 mm)(for IR LED)
Certifications and Approval	
Product Certifications	CE, FCC, IP66

Ordering information

V1492MR-20T25YE HD 2MP Integrated IP PTZ Camera with IR illuminators (20X optical zoom, day/night, 1/2.8-inch progressive scan CMOS, H.264/M-JPEG, NTSC/PAL, 24VDC)

V1492MR-20T26YE HD 2MP Integrated IP PTZ Camera with IR illuminators (20X optical zoom, day/night, 1/2.8-inch progressive scan CMOS, H.264/M-JPEG, NTSC/PAL, 24VAC)

Note: The mounting brackets, 24VDC and 24VAC power supply unit shall be ordered separately.

V1663-W2
V1663-S2
V1663-C2

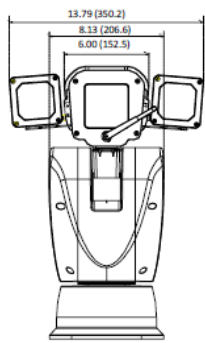
Wall Mount
Pole Side Mount
Corner Mount

Power Supply
N3925-24D-6

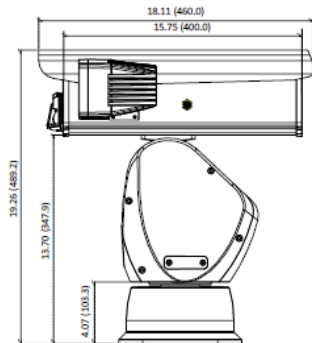
Power Supply, 24VDC, 6A, Plug-In, 110-230VAC

Recommended Installation Mounts

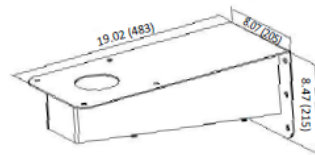
Dimensions



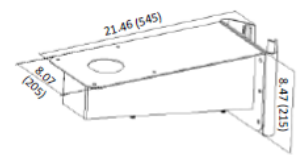
Front View



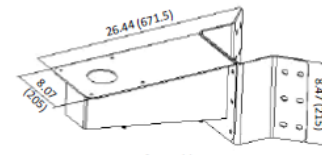
Side View



Wall Mount



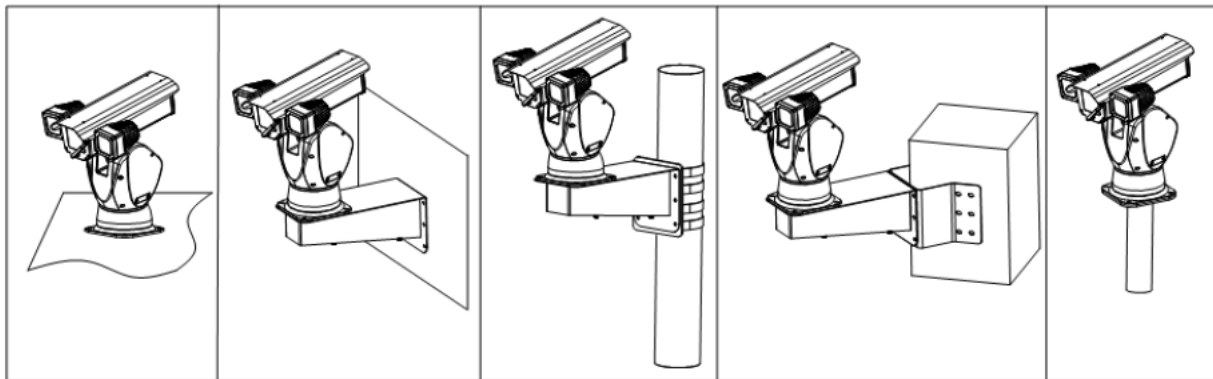
Pole Side Mount



Corner Mount

(Unit: inch, in the parentheses is mm)

Mounting



Surface Mount

Wall Mount

Pole Side Mount

Corner Mount

Pole Top Mount