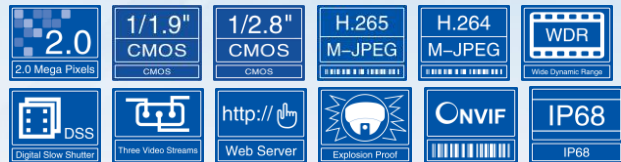


V1631MN-F Series

HD Megapixel Explosion-proof IP PTZ Camera

Infinova[®]
The Integrator's Manufacturer



- 316 stainless steel construction, IP68 environmental rating
- Strong corrosion-resistant capabilities
- Use in flammable and explosive hazardous areas
- Full HD IP video output with resolution up to 1920×1080@60fps
- Embedded with 30X/33X high-definition camera module
- H.265 / H.264 / M-JPEG video encoding, three streams
- Features rich smart functions, such as wire cross and intrusion
- Supports dual SD card, with single card up to 256G
- Two-way audio, G.711-A/G7.11-U/G.726/AAC
- Support remote PTZ control
- Support area zoom, image PTZ and E-zoom
- Supports defogging
- Supports multiple white balance modes
- Auto gain control, wide dynamic range
- Support preset, pattern, auto-pan, tour and home return, etc.
- Support upgrade online
- 2 alarm inputs and 1 relay output
- Up to 4 motion detection areas
- Supports alarm input, motion detection alarm and intelligent video analysis alarm, with multiple ways to handle alarms, such as relay output, sending an email, FTP uploading, SD card snapshot, SD card recording, audible warning, etc.
- Compliant with Onvif Profile S and Profile G
- Support RS485 and analog video output for easy adjustment
- Built-in with wiper
- 360° Pan/Tilt rotation at 0.05°~20°/s

V1631MN-F series HD Megapixel Explosion-proof IP PTZ Camera is fully-developed and specially designed for use in flammable and explosive hazardous areas. The system uses 316 stainless steel to ensure its good explosion-proof performance in hazardous areas. It has an absolute operating temperature range of -40°F~140°F (-40°C~60°C). This camera is properly sealed to prevent the intake of flammable dust and ensure strong corrosion-resistant capabilities.

V1631MN-F supports H.265/H.264/M-JPEG dual-stream encoding and three simultaneous video streams. It's embedded with 30X/33X HD zoom camera module with resolution up to 1920×1080@30fps.

The user-friendly GUI interface is designed for easy PTZ control and convenient camera parameter settings. Thus, it makes easier to set the PTZ and perform operations with a mouse than traditional keyboard. In addition, area zoom and image PTZ are also offered. The intelligent motion detection and multiple alarm responses make it even safer to use.

V1631MN-F series cameras also provide functions such as preset, pattern, autopan, autoscan and normal tour, etc.

The series also supports analog video output, RS-485 control and baud rate switch, convenient for various networking requirements.

V1631MN-F series allows 360° continuous pan/tilt rotation at the speed of 0.05°~20°/s. An optoelectronic device is embedded to detect the position of camera housing. It will send signals to the processor when the camera housing is turned upside down. Then, the processor sends an order to flip the image for normal view.

Technical specifications

Models

V1631MN-30F(A), V1631MN-33F(B)

Lens

Optical Zoom	30X, 33X
Aperture/ Focal Length	30X: F1.6~F4.8, f=6~180mm 33X: F1.6~F5.5, f=4.6~152mm
Angle of View (H)	30X: 58.71°(wide)~2.15°(tele) 33X: 62.3°(wide)~1.89°(tele)

Min. Work Distance	0.01m (Wide) ~ 1.5m (Tele)
--------------------	----------------------------

Camera

Image Sensor	30X: 1/1.9" Progressive Scanning CMOS 33X: 1/2.8" Progressive Scanning CMOS
Day/Night Switch	ICR
Max. Resolution	1920×1080@60fps
Major/Minor Stream Output	Major Stream 1920×1080@50fps + Minor Stream 1920×1080@25fps
Sensitivity	30X: Color mode: 0.001lux @F1.6 (AGC ON) B/W mode: 0.0001lux @F1.6 (AGC ON) 33X: Color mode: 0.001lux @F1.6 (AGC ON) B/W mode: 0.0001lux @F1.6 (AGC ON)
Storage	Supports dual cards, compatible with Micro SD/SDHC/SDXC card (single card up to 256G)
S/N Ratio	>62dB

Camera Functions

Focus Mode	Auto, Manual, M/A; supports to set focal length
Exposure Mode	Scene (Indoor/Outdoor), Manual, Shutter
Day/Night Mode	Auto, Day, Night; supports to set the switch time
Shutter	Auto/Manual (1/1s-1/32000s)
Image Mirror	Off/H-mirror/V-mirror/HV-mirror
DNR	3D
White Balance	AUTO/MANU/OUTDOOR
WDR	Supports multi-frame composite pattern wide dynamic with a range up to 132dB
BLC	ON/OFF
AGC	Available, 64 level adjustable
Dead Pixel Compensation	Available
Area Zoom	Available
Privacy Mask	Up to 8 privacy areas
ROI	Up to 8 regions
Smart Video Analysis	Wire cross, area intrusion, camera tamper detection

PTZ Functions

Programmable Presets	1024
Programmable Patterns	12
Programmable Autopans	12
Normal Tours	16 (each tour can be associated with 14 acts, including Preset 1~32, Pattern 1~4, AutoPan 1~4)
Home Return	Available
Timed Tours	Available
Auto Scan	Available
Motion detection	Up to 4 detection areas
Web Server	Available
Online Upgrade	Available

Video

Compression	H.265/H.264/M-JPEG
Encoding Capacity	1920×1080 @ 60fps
Data Rate	Variable bit rate (vbr); Constant bit rate (cbr): 256Kbps~10000Kbps
Network Delay	<300ms

Audio

Compression	G.711-A/G.711-U/G.726/AAC
Sampling Rate	8KHz (for G.711-A, G.711-U, G.726); 16KHz, 32KHz, 44.1KHz, 48KHz (for AAC)
Ports	1 input, linear level, impedance: 1kΩ 1 output, linear level, impedance: 600Ω

Alarm

Alarm Port	2 alarm inputs, 1 on/off output
Alarm Input	I/O input, motion detection, smart alarm, network disconnection, SD card removal, heartbeat loss
Alarm Association	I/O output, email, FTP upload, audio, SD card recording and SD card snapshot

IP

Network Port	1 RJ45 10/100M self-adaptive Ethernet port
Network Protocol	IPv4/IPv6, TCP, UDP, IGMP, ICMP, IGMPv3/3, DHCP, SNMP (V1, V2, V3), FTP, SMTP, NTP, RTC, RTP, RTSP, RTCP, HTTP, HTTPS, SSL, 802.1x, QoS, PPPoE, DNS, DNSv6, DDNS, ARP, UPnP, IP Filter, TLS, DES, Multicast, SIP

Mechanical

Pan Rotation Angle	360°
Tilt Rotation Angle	360°
Pan Rotation Speed	0.05°/s to 20°/s
Tilt Rotation Speed	0.05°/s to 20°/s

Electrical

Input Voltage	100~240VAC
Current Rating	500mA
Power Consumption	50W
Voltage Range	±10%

Environmental

Atmospheric Pressure	86kpa~110kpa
Operating Temp.	-40°F~140°F (-40°C~+60°C)
Storage Temp.	-40°F~158°F (-40°C~+70°C)
Relative Humidity	≤95%RH (77°F/+25°C)
Application Field	For Division 1 and 2 hazardous locations where fire or explosion hazards may exist due to the presence of flammable gases or vapors (Gas Groups: II A, II B, II C; Temperature Classes: T1-T6); For zone 21 and 22 hazardous locations where combustible dust clouds may occur

Physical

Material	316 stainless steel
Environmental Rating	IP68 (1.5m/2h)
Product Weight	84 lbs. (38±5%kg)
Shipping Weight	121 lbs. (55±5%kg)
Mounting	Surface, Wall, Corner, Pole Side, Pole Pendant, Pole Stand, Pole Top

Certifications and Approval

Product Certifications	CNEx, ExdIICT6 Gb, DIP A21 TA, T6 ¹ , IECEx, ExdIICT6 Gb, ExtIICT80°C Db ² , CE/EMC: EN 55022, EN 55024, EN61000-3-2, 61000-3-3 ³ , FCC ⁴ , CCOE ⁵ , ISO 9001:2008
------------------------	---

Certificate No.: ¹ CNEx12.1920X; ² IECEx CQM 12.0020X; ³ CTL1406251446-EC; ⁴ CTL1406251446-FC; ⁵ P338685/1

Ordering information

V1631MN-30F29A-2 HD Megapixel Explosion-proof IP PTZ Camera, starlight, WDR, intelligent, 2.0Mpx, 30X, 1/1.9" CMOS, day/night, H.265/H.264/MJPEG, with trailing line, with audio and alarm, 316 stainless steel, 100~240VAC

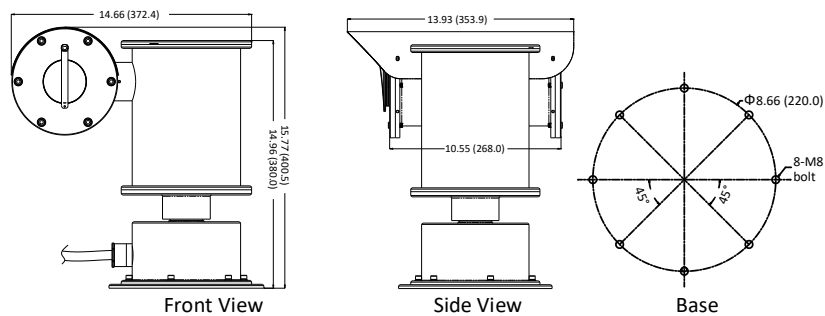
V1631MN-33F29B-2 HD Megapixel Explosion-proof IP PTZ Camera, starlight, WDR, intelligent, 2.0Mpx, 33X, 1/2.8" CMOS, day/night, H.265/H.264/MJPEG, with trailing line, with audio and alarm, 316 stainless steel, 100~240VAC

Recommended Installation Mounts

V1664-W	Wall Mount, 316 Stainless Steel
V1664-C	Corner Mount, 316 Stainless Steel
V1664-S	Pole Mount, 316 Stainless Steel

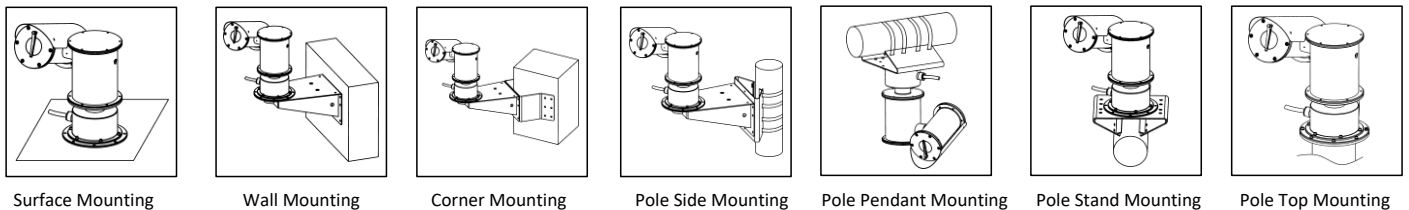
Note: The pigtail cable is about 1.16m (from the outlet end to the end of the pigtail cable). Customers have to prepare the explosion-proof cable-protecting pipe. Please make sure that the length of the pipe satisfies the location needs. The pigtail cable includes power input, RS485, BNC, network output, GND, 2-ch alarm input, 1-ch alarm output, audio input and audio output.

Dimensions



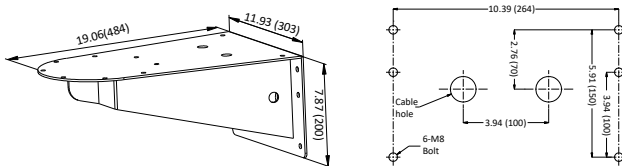
(Unit: inch, in the parentheses is mm)

Mounting

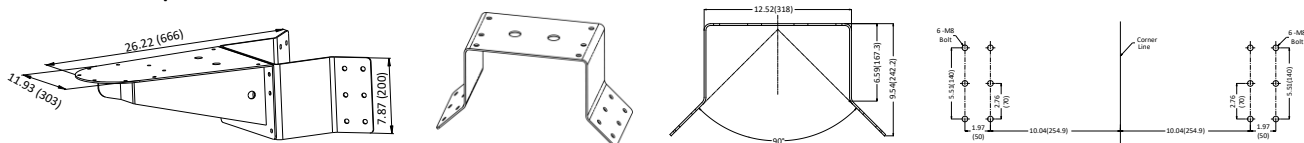


Mounts & adapters dimensions

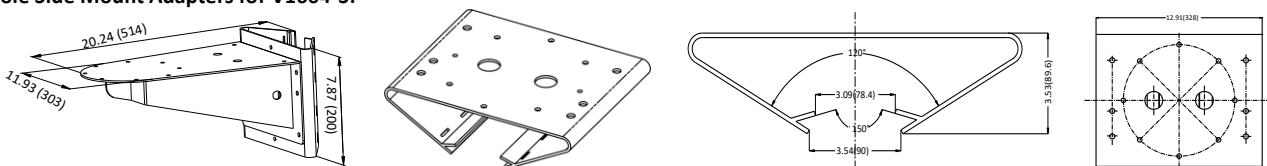
V1664-W Mount:



Corner Mount Adapters for V1664-C:



Pole Side Mount Adapters for V1664-S:



(Unit: inch, in the parentheses is mm)