

V6202IR-TX720G Series

HD Megapixel IP IR Bullet Camera

Infinova[®]
The Integrator's Manufacturer



1/1.7" CMOS	8.0 8.0 Mega Pixels	G.711	PoE
12/24 12VDC/24VAC	H.264 M-JPEG	WDR Wide Dynamic Range	IP66

- 1/1.7" Sony progressive scan CMOS sensor
- IR-Cut Removable (ICR) Filter for Day/Night switching
- Ultra HD 4K2K @ 30fps or 6MP @ 30fps + 720P @ 30fps
- Quad Streams Compression: H.264 Baseline / Main / High Profile + MJPEG
- Supports multiple and Dynamic ROI Windows
- 3D Motion Compensated Noise Reduction (MCTF)
- Text Overlay and Privacy Masks
- microSD Support
- Motion Detection
- Smart IR Mode
- Network Failure Detection
- IR LED Module (working distance up to 50 m)
- Integrated Mounting Bracket with Cable Management
- IP66 environmental rating
- IP Address Filtering, User Access Log, HTTPS Encryption
- S/N Ratio > 50dB
- IK10 rated
- ONVIF Support

V6202IR-TX720G series HD Megapixel IP IR bullet camera uses 1/1.7" Sony progressive scan CMOS sensor. H.264 Baseline/Main/High Profile & M-JPEG video compression format allows image output resolution up to 8MP.

Built-in with an outstanding processing engine, the camera delivers 4K2K real-time streaming that provides 4 times details of Full HD resolution without sacrificing the frame rate. Software features, such as Privacy masks and ROI windows, further extend the range of camera application. The new generation built-in IR LED module emits sufficient infrared lights to light up the area under surveillance without the help of any additional lighting devices.

V6202IR-TX720G series is widely used in public security, subways, governments, schools, airports, factories, hotels, museums, city streets and other high-resolution surveillance applications.

Technical specifications

Camera	
Image Sensor	1/1.7" Sony progressive scan CMOS
Effective Pixels	8M (3840x2160)
Sensitivity	Color mode: 0.05 lux B/W mode: 0.005 lux
Shutter	1/1s~1/10,000s
Lens	
Lens	Vari-focal
Focal Length	3.5-8mm
F Number	F1.45
FOV	116° (Wide); 52° (Tele)
Image setting	
Iris Control*	DC-iris
Backlight Compensation	On/Off
White Balance	Auto/Manual/ATW/One Push
Noise Reduction	3D
Binning mode	Yes
WDR	Gamma WDR On / Off
Privacy Mask	On/Off
Brightness	Manual
Exposure	Auto/Manual
Sharpness	Manual
Contrast	Manual
Saturation	Manual
Hue	Manual
Digital Zoom	Support
Motion Detection	On/Off/By Schedule
Privacy Mask Type	Color
ICR	Auto/On/Off/Smart
ICR + IR LED*	Auto/LED On/LED Off/Smart IR/Light Sensor
Event setting	
Motion Detection	On / Off / By Schedule
Tampering Alarm	On / Off / By Schedule
Network Failure Detection	By Schedule / On / Off
Audio Detection	On / Off
Audio	
Two-way Audio	Line in/Line Out
Compression	G.711/G.726
Network	
Network Interface	RJ-45, 1Gbps Ethernet
Video Compression	MJPEG / H.264 (MPEG-4 Part 10/AVC) Baseline / Main Profile / High Profile / SVC

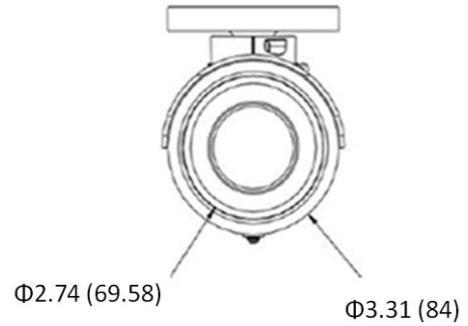
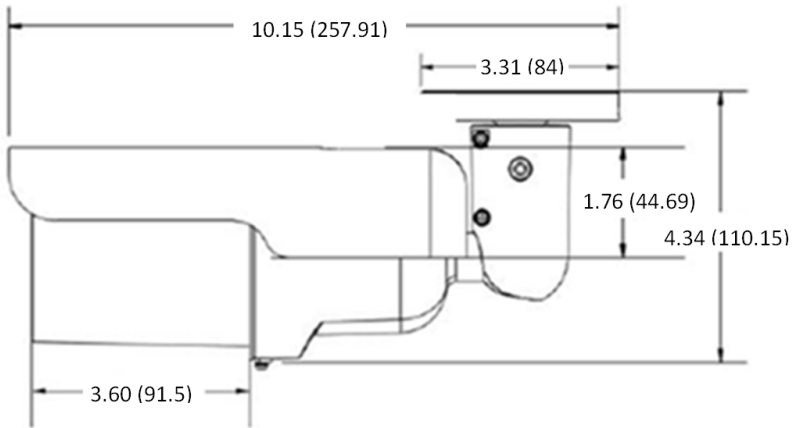
Video Streaming	Single Stream: H.264 4K2K (3840x2160) @ 25/30fps Dual Streams: H.264 1080P @50/60 fps + H.264 1080P @25/30 fps (1 of the streaming can be MJPEG) Quad Streams: H.264 1080P @50/60 fps + H.264 SXGA @25/30 fps + H.264 720P @25/30 fps + H.264 D1 @25/30 fps (1 of the streaming can be MJPEG)	
Video Resolution	H.264: 4K2K (3840 x 2160) / Full HD 1080P / SXGA / 720P / XGA / SVGA / D1 / VGA / CIF / QVGA MJPEG: Full HD 1080P / SXGA / 720P / XGA / SVGA / D1 / VGA / CIF / QVGA	
Protocol	IPv4/v6, TCP/IP, UDP, RTP, RTSP, HTTP, HTTPS, ICMP, FTP, SMTP, DHCP, PPPoE, UPnP, IGMP, SNMP, QoS, ONVIF, ARP	
Security	HTTPS / IP Filter / IEEE 802.1X	
Alarm	Input: 1 Set: 5V 10kΩ pull up; Output: 1 Set: Photo Relay Output 300V DC/AC	
Event Notification	HTTP/FTP/SMTP	
Micro SD	SDXC 128GB support	
Supported Web Browser	Internet Explorer (6.0+)/Chrome/Firefox/Safari	
User Account	20	
Password Levels	User and Administrator	
Mechanical		
Built-in IR Illuminator*	Working Distance: up to 50m; Wavelength: 850nm; Number of LEDs: 6	
LED Indicator	Power/Link/ACT	
Connectors	Alarm: 4 Pin Terminal Block; Power: 3 Pin Terminal Block; Ethernet: RJ-45; Analog Video: 1.0 Vp-p / 75 Ω, BNC; Audio*: Stereo phone jack, Ø 3.5 mm	
General		
Operating Temperature	-4°F~-122°F (-20°C~50°C) -40°F~-122°F (-40°C~50°C) (w/Heater, powered by 12VDC/24VAC/PoE)	
Start-up Temperature	14°F~-122°F (-10°C~50°C) -40°F~-122°F (-40°C~50°C) (w/Heater, powered by 12VDC/24VAC/PoE)	
Humidity	10%~90% RH (non-condensing)	
Weatherproof Standard*	IP66	
Vandal Protection	IK10	
Dimensions (HxØ)	7.6"×Ø3.3" (270mm×Ø90mm)	
Weight	2.07lbs. (0.94kg)	
Power Source	PoE/12VDC/24VAC	
Power Consumption	Operation (802.3af)	System: 6.05W Others: Heater: 5W ICR Switching: 0.5W IR-LED: 2.9W Motorized Lens: 0.55W
	Cold Start (802.3af)	Heater: 10W
Note:*mark is for optional item		
Certifications and Approval		
Product Certifications	CE/EMC: EN 55022, EN 55024, EN 61000-3-2, EN 61000-3-3, FCC: Part 15 Subpart B Class A; UL ¹ RoHS/LVD	

Certificate NO.:¹ E232008-A36-UL

Ordering information

V6202IR-TX720G HD Megapixel IP IR Bullet camera, 8Mpx, 1/1.7" CMOS sensor, Vari-focal lens, Day/night, 50m IR distance, Outdoor, IP66, H.264/MJPEG, PoE/12VDC/24VAC

Dimensions



(Unit: inch, in the parentheses is mm)