

# VH121-A2-A0 Series

## 2MP WDR IP IR Minidome Camera

**Infinova**<sup>®</sup>  
The Integrator's Manufacturer



- 1/2.8" progressive scan CMOS sensor
- IR-Cut Removable (ICR) Filter for Day/Night switching
- The maximum IR illumination distance can be up to 30 meters
- Adopts Smart-IR technology thus infrared light power consumption can be adjusted according to the lighting level of surroundings
- Supports WDR function and the dynamic range is 100dB
- Motorized zoom lens for Auxiliary Focus
- Smart functions, such as video anomaly detection, cross-line detection, and intrusion detection
- High-resolution image signal output: 1920×1080@30fps
- Three Simultaneous Video Streams: Dual H.264 & Scalable M-JPEG
- Superb image quality
- Support corridor mode
- Support built-in storage
- Bi-directional audio, G.711U
- 2 alarm inputs, 1 on-off output
- Support multiple ways to trigger alarms
- Up to four ROI (Region of Interest) areas
- Up to four definable motion detection areas
- Up to four definable privacy mask areas
- Support simultaneous access and parameter setting via Web Server from multiple clients
- Compatible or able to integrate with digital video surveillance software, and other video surveillance software
- ONVIF Profile S
- Standard SDK is provided for easy integration with other digital system
- New structure design, surface mount; bracket mount can be achieved when using installation accessories
- 3-axis adjustment
- Unicast & Multicast
- IK10, IP66
- PoE/12VDC/24VAC
- With analog video debugging interface

Infinova's VH121-A2-A0 series 2MP WDR IP IR minidome camera allows image output resolution up to 1920×1080@30fps. The camera provides excellent resolution and color reproduction, acquires richer and more accurate details and guarantees smart analysis accuracy in a more effective way, which caters for different application needs.

VH121-A2-A0 series camera boasts of rich smart functions, including video anomaly detection to protect the lens from shielding, deviating, defocusing, intrusion detection (key areas protection), and cross-line detection (border protection), which can apply to various high-end businesses.

The camera supports the function of strengthening ROI encoding, so as to improve the image quality of key areas under low-band network environment.

Compact structure makes it easy to install. Also, this camera provides 3-axis adjustment, easy to adjust the monitoring angle.

The VH121-A2-A0 series 2MP WDR IP IR minidome cameras suit prisons, smart buildings, banks, airports, stations, factories, subways and other high-resolution surveillance applications.

## Technical specifications

Image Sensor	1/2.8" progressive scan CMOS
Lens	F1.4, f=2.8-12mm, motorized zoom lens
Lens Port	Φ14
IR Wavelength	850nm
IR Illumination Range	30m
Camera Angle Adjustment	X (Panning): 0°~360°; Y (Tilting): 0°~72°; Z (Rotating): 0°~360°
Day/Night Functionality	ICR
Sensitivity	Color mode: 0.1Lux @ F1.4 (30IRE, AGC ON); B/W mode: 0Lux (IR ON)
Exposure	Scene mode, Manual mode, Shutter priority mode
Shutter	Auto/Manual (1/30s~1/10000s)
AGC	Auto/Manual
White Balance	Auto/Manual/Incandescent light/Cool white fluorescent light/Sun light/Cloudy/Natrium light
Noise Reduction	3D
SNR	>50dB
WDR	100dB
BLC	Supported
Video Adjustment	Corridor mode, Brightness, sharpness, hue, contrast, saturation adjustable
Video Compression	H.264 main profile/M-JPEG
Maximum Resolution	1920×1080@H.264/M-JPEG
Optional Resolution	H.264: Major stream: 1920×1080, 1280×960, 1280×720; Minor stream: 704×576, 640×480, 352×288, 320×240 MJPEG: 1920×1080, 1280×960, 1280×720
Maximum Frame Rate	30fps@H.264 (60Hz) 25fps@H.264 (50Hz)
Data Rate	Variable bit rate; Constant bit rate: Major stream: 256Kbps~10000Kbps; Minor stream: 256Kbps~2000Kbps
Audio Compression	G.711U
Audio Code Rate	8K

Audio Port	1 input (Linear level, Resistance: 1000 Ohm), 1 output (Linear level, Resistance: 600 Ohm)
Web Server	Available
Upgrade Online	Available
Password Protection	Available
Smart Functions	Video anomaly detection, cross-line detection, and intrusion detection
Built-in Storage	Available, 64G TF card is recommended, snap-shots and records are storable
Motion Detection	Up to 4 areas
Privacy Mask	Up to 4 masks
ROI	Up to 4 regions
Access Protocols	ONVIF Profile S, GB28181, CGI
Network Protocols	Unicast & Multicast
Network Port	1 RJ45 10/100M self-adaptive Ethernet port
Available Protocols	IPv4, IPv6, TCP, UDP, IGMP, DHCP, FTP, SNMP (V3), SMTP, NTP, RTP, RTSP, RTCP, HTTP, HTTPS, TSL, SSL, 802.1X, QoS, PPPoE, DNS, ARP, ICMP, UPNP, DDNS
Alarm	2 alarm inputs, 1 on-off output
Power Supply	PoE (IEEE 802.3af Class 3) / 12VDC (±15%)/ 24VAC (±25%)
Power Consumption	<10W (with heater)
Operating Temperature	-144°F ~ 140°F (-40°C ~ 60°C)
Storage Temperature	-4°F ~ 140°F (-20°C ~ 60°C)
Operating Humidity	0~95% Relative Humidity
Unit Dimensions (H×Ø)	4.02"×5.43" (102.1mm×137.8mm)
Box Dimensions (L×W×H)	8.03"×6.34"×8.11" (204mm×161mm×206mm)
Unit Weight	1.98lbs. (0.9Kg)
Shipping Weight	2.54lbs. (1.15Kg)
<b>Certifications and Approval</b>	
Product Certifications	IK10: IEC62262 <sup>1</sup> , CE/EMC: EN55022, EN55024, EN61000-3-2, EN61000-3-3 <sup>2</sup> , FCC: Part 15 Subpart B Class B <sup>3</sup> , IP66: IEC/EN 60529 <sup>4</sup> , UL <sup>5</sup> , ISO 9001:2008

Certificate No.: <sup>1</sup>ES150915030RE; <sup>2</sup>CTL1508282495-EC; <sup>3</sup>CTL1508282495-FC; <sup>4</sup>TRS15090056; <sup>5</sup>E232008-A49

## Ordering information

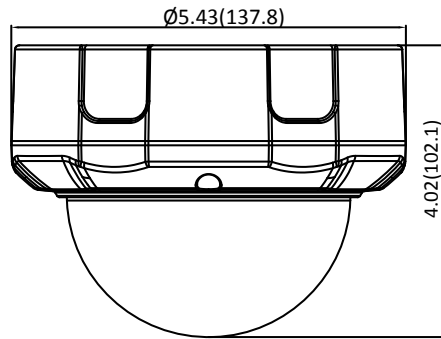
VH121-A20B-A022 Megapixel WDR IR IP minidome camera, 2Mpx, 1/2.8 inch CMOS sensor, Day/night, H.264/M-JPEG, audio alarm, 2.8-12mm motorized lens, 30m IR Illumination Distance, Surface mount, Clear Bubble, Vandal-resistant, IP66, PoE/12VDC/24VAC

### Accessories

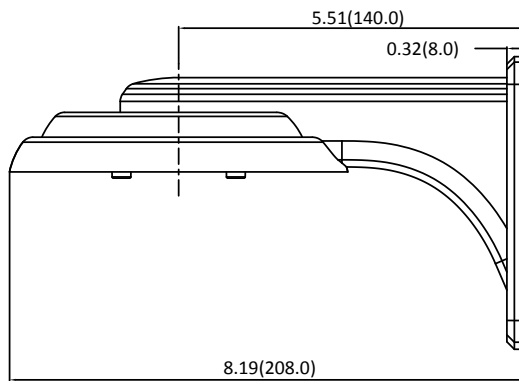
V1761HA Wall Mount

V1764HA Pendant Mount

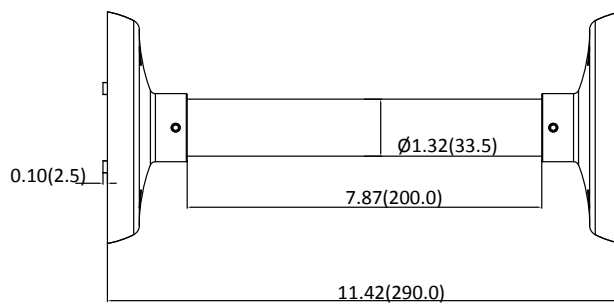
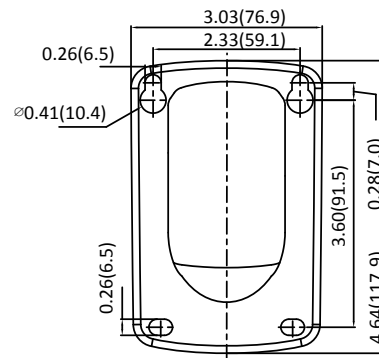
# Dimensions



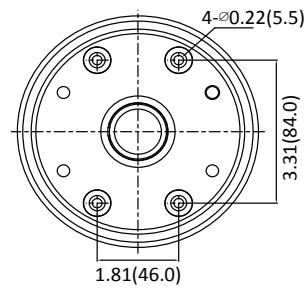
Surface Mount



Wall Mount



Pendent Mount



(Unit: inch, in the parentheses is mm)