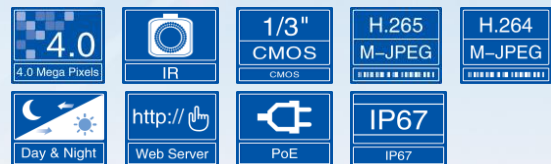


VH211-A4 Series

HD 4MP WDR IR Smart IP Box Camera

Infinova[®]



- 1/3" CMOS sensor
- IR-Cut Removable (ICR) Filter for Day/Night switching
- IR distance up to 70m
- Uses Smart-IR technology; auto-adjusts IR lamp power according to ambient illumination
- Supports multi-frame integration WDR, with dynamic range up to 120dB
- Smart functions, such as perimeter protection (wire cross and invasion detection) and features detection (scene change, defocus, color cast, low brightness and high brightness)
- Built-in motorized zoom lens, supporting assistant focusing
- H.265+M-JPEG or H.264+M-JPEG video encoding, three streams
- Maximum resolution supports 2592×1520@20fps, 2048×1520@30fps
- Bi-directional audio, G.711-A/G.711-U/AACOptional
- Supports corridor mode
- Local PC recording
- Supports TF card storage/NAS storage
- Support alarm recording and event recording (including broken network)
- Supports alarm snapshot and event snapshot
- Supports multiple alarm trigger methods such as I/O input, broken network, motion detection, video tampering, smart analyzing, etc.;
- supports flexible alarm association settings like I/O output, emails, FTP picture uploading, audio, TF card recording and alarm information push
- Up to 8 ROI (Region of Interest) areas
- Supports motion detection, 4 areas configurable
- Supports privacy mask, 4 privacy areas configurable
- Supports live access and parameter setting via Web Server from multiple users
- Compatible with Infinova's digital video surveillance software
- Standard SDK provided for easy integration with other video surveillance software
- ONVIF Profile Q, S, G & T compliant
- Supports PoE/12VDC/24VAC power supply
- IP67 rating
- With analog video output

VH211-A4 Series HD 4MP WDR IR Smart IP Box Camera adopts a 1/3" progressive scan CMOS sensor and has an internal 2.8-12mm HD motorized zoom lens, together with internal dot matrix LED IR illuminators covering 70m distance. The output power of IR illuminators can be automatically adjusted according to the lighting of the scene to avoid full load, greatly reducing the power consumption and extending the service life.

The camera adopts H.265/H.264/M-JPEG encoding, features high resolution up to 2592×1520@20fps and provides outstanding color rendition which helps you get richer and more accurate details.

The camera also features multiple smart functions, including detection of wire-cross, intrusion, scene change, defocus and color cast, as well as low brightness and high brightness, which makes it suitable for all kinds of high end applications.

The camera is compact in structure and easy to install.

The products can be widely used in sites that demand high definition image quality with no lighting of ordinary buildings, supermarkets, hotels, shops, parks, schools, factories, warehouses, underground parking lots, etc.

Technical specifications

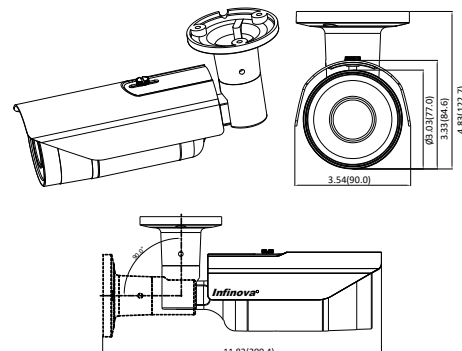
Image Sensor	1/3" CMOS			
Lens Configuration	Motorized zoom lens, F1.4, f=2.8-12mm, f=7~22mm			
Lens Mount	Φ14			
FOV	H	V	D	
	f=2.8-12mm	30°-99°	18°-55°	35°-117°
	f=7~22mm	11°-23°	6°-13°	13°-26°
IR Lamp Wave Length	850nm			
Night Vision Distance	70m			
Day/Night Switching	ICR			
Sensitivity	Color mode: 0.01 lux@F1.4 (30IRE, AGC ON); B/W mode: 0 lux (IR ON)			
S/N Ratio	52dB			
Exposure	Scene, Manual, Shutter			
Shutter	Auto/Manual (adjustment range 1/1s~1/32000s)			
AGC	Auto/Manual adjustable, max. 64X			
White Balance	Auto/Manual/Outdoor			
WDR	Supports multi-frame integration mode wide dynamic range up to 120dB			
Video Adjustment	Brightness, contrast, saturation, chroma, sharpness			
Noise Reduction	3D			
Defog	Available			
EIS	Available			
Corridor Mode	Available			
Image Mirror	Horizontal/Vertical mirror			
Video Compression	H.265/H.264 switchable M-JPEG independent			
Max. Encoding Capacity	2592×1520@20fps+720P@30fps+ M-JPEG1080P@5fps			
Optional Resolution	Major stream: 2592×1520/2560×1440/2048× 1520/2304×1296/1920×1080/1280×960/1280×720; Minor stream: 1920×1080/1280×960/1280×720/720×576/704× 576/640×480/352×288/320×240; M-JPEG: 1920×1080/1280×960/1280×720			
Output Code Rate	Variable; Constant: major stream: 256Kbps~1000Kbps; minor stream: 256Kbps~2000Kbps			
Audio	Compression: G.711-A, G.711-U, AAC Sampling rate: 8KHz, 16KHz, 32KHz, 44.1KHz, 48KHz optional Port: 1 linear input, 1 linear output			

Smart Functions	Detections of video anomaly detection, wire cross, and regional invasion
Alarm	2 alarm inputs, 1 on-off output
Network Delay	≤250ms
Motion Detection	Supports up to 4 motion detecting areas
Privacy Mask	Up to 4 masks
ROI	Up to 8 regions
Internal Storage	Supports a Micro SD/SDHC/SDXC card (128G)
Local PC Recording	Available
Remote Network Upgrade	Available
Password Protection	Available
Network Port	One RJ45 10/100M self-adaptive Ethernet port
Analog Video Output	Available, BNC connector
Network Protocols	IPv4, IPv6, TCP, UDP, IGMP, DHCP, FTP, SNMP (V3), SMTP, NTP, RTP, RTSP, RTCP, HTTP, HTTPS, TSL, SSL, 802.1X, QoS, PPPoE, DNS, DDNS, ARP, ICMP, UPnP
IP Address Filter	Available
Power Supply	PoE (IEEE 802.3af)/12VDC/24VAC
Power	<13W
Protection Design	Lighting protection (network port and power supply connector): protection differential mode 2KV, common mode 4KV surge; Anti-static (all ports): contact protection 6KV static
Operating Temperature	-40°F ~ 140°F (-40°C ~ 60°C)
Storage Temperature	-4°F ~ 140°F (-20°C ~ 60°C)
Operating Humidity	0%~95% RH (non-condensing)
Unit Dimension (H×W×D)	3.33"×3.54"×11.83" (84.6mm×90mm×300.4mm)
Box Dimensions	14.96"×5.98×5.12" (380mm×152mm×130mm)
Net Weight	2.09lbs. (0.95Kg)
Shipping Weight	2.76lbs. (1.25Kg)
Certifications and Approval	
Product Certifications	CE/EMC: EN 55032, EN 55024, EN 61000-3-2, EN 61000-3-3 ¹ ; FCC: Part 15 Subpart B Class A ² ; ISO 9001:2008; IP67; IK10; UL ³
	Certificate No.: ¹ CTL1703238081-EC; ² CTL1703238081-FC; ³ E232008

Ordering information

VH211-A40B-A0	HD 4MP Megapixel WDR IR Smart IP Box Camera, 4.0Mpx, 1/3" CMOS, day/night, H.265/H.264/M-JPEG, with audio alarm, 2.8~12mm motorized zoom lens, 70m IR distance, outdoor, IP67, PoE/12VDC/24VAC
VH211-A40E-A0	HD 4MP Megapixel WDR IR Smart IP Box Camera, 4.0Mpx, 1/3" CMOS, day/night, H.265/H.264/M-JPEG, with audio alarm, 7~22mm motorized zoom lens, 70m IR distance, outdoor, IP67, PoE/12VDC/24VAC

Dimensions



(Unit: inch, in the parentheses is mm)