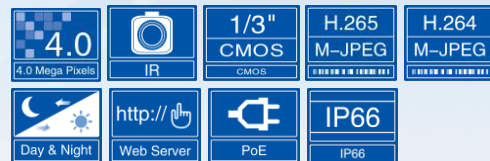


# VH211-B4 Series

## HD 4MP WDR IR Smart IP Box Camera

**Infinova**<sup>®</sup>  
The Integrator's Manufacturer



- 1/3" CMOS sensor
- IR-Cut Removable (ICR) Filter for Day/Night switching
- 30m IR distance
- Uses Smart-IR technology; auto-adjusts IR lamp power according to ambient illumination
- Supports multi-frame integration WDR, with dynamic range up to 120dB
- Smart functions, such as perimeter protection (wire cross and regional invasion detection) and feature protection (scene change, defocus, color cast, low brightness and high brightness detection)
- H.265+M-JPEG or H.264+M-JPEG video encoding, three streams
- Maximum resolution supports 2592×1520@20fps, 2560×1440@25fps
- Bi-directional audio, G.711a/G.711u/ACC
- Supports corridor mode
- Local PC recording
- Supports TF card storage/NAS storage
- Support alarm recording and event recording
- Supports alarm snapshot and event snapshot
- Supports multiple alarm trigger methods such as I/O input, motion detection, smart analyzing, SD card removal, network disconnection, heartbeat loss etc.; supports flexible alarm association settings like I/O output, emails, FTP picture uploading, audio, TF card recording and alarm information push
- Up to 8 ROI (Region of Interest) areas
- Supports motion detection, 4 areas configurable
- Supports privacy mask, 4 privacy areas configurable
- Supports simultaneous access and parameter setting via Web Server from multiple users
- Compatible with digital video surveillance software
- Standard SDK provided for easy integration with other video surveillance software
- ONVIF Profile S, ONVIF Profile G compliant
- Supports PoE/12VDC/24VAC power supply
- IP66 rating
- With analog video output

VH211-B4 Series is an InfinoVA HD 4MP WDR IR Smart IP Box Camera. It adopts a 1/3" progressive scan CMOS sensor with an internal megapixel fixed lens (2.8mm/3.6mm/6mm/8mm/12mm optional). The camera has an internal dot matrix LED IR lamp of 30m IR distance. The IR lamp output power can be adjusted automatically according to the brightness of the scene so that the IR lamp is not working at full capacity. The power consumption of the complete machine is greatly lowered and the service life is lengthened.

The camera supports up to 2592×1520@20fps HD network video output. It uses H.265/H.264/M-JPEG encoding. The output gives excellent definition and color reproduction. More detailed and accurate information can be acquired and the accuracy of smart analysis can be guaranteed more effectively.

The camera supports intelligent detection functions, such as cross line, region intrusion, scene change, defocus, color cast, low brightness, and high brightness. The secure, professional, and reliable smart analysis can meet requirements of many high-end applications.

Compact design makes it easy to install.

The products can be widely used in sites that demand high definition image quality with no lighting of ordinary buildings, supermarkets, hotels, shops, parks, schools, factories, warehouses, underground parking lots, etc.

## Technical specifications

Image Sensor	1/3" CMOS
Lens Configuration	F1.6, f= 8mm, 12mm F1.8, f=2.8mm, 3.6mm, 6mm
Lens Mount	M12
IR Lamp Wave Length	850nm
Night Vision Distance	30m
Day/Night Switching	ICR
Sensitivity	Color mode: 0.07Lux@F1.6 (30IRE, AGC ON) B/W mode: 0.04Lux @F1.6 (30IRE, AGC ON) 0 lux (IR ON)
S/N Ratio	52dB
Exposure	Scene model, Manual model, Shutter priority model
Shutter	Auto/Manual (adjustment range 1/1s~1/32000s)
AGC	Auto/Manual adjustable, max. 64X
White Balance	Auto/Manual/Outdoor
WDR	Supports multi-frame integration mode wide dynamic range up to 120dB
Video Adjustment	Brightness, contrast, saturation, chroma, sharpness
Noise Reduction	3D
Defog	Available
EIS	Available
Corridor Mode	Available
Image Mirror	Horizontal/Vertical mirror
Video Compression	H.265/H.264 switchable M-JPEG independent
Max. Encoding Capacity	2592×1520@20fps+720P@30fps+M-JPEG1080P@5fps
Optional Resolution	Major stream: 2592×1520/2560×1440/2048×1520/2304×1296/ /1920×1080/1280×960/1280×720; Minor stream: 1920×1080/1280×960/1280×720/720×576/704×576 /640×480/352×288/320×240; M-JPEG: 1920×1080/1280×960/1280×720
Output Code Rate	Variable; Constant: major stream: 256Kbps~10000Kbps; minor stream: 256Kbps~2000Kbps
Audio	Compression: G.711a, G.711u, AAC Sampling rate: 8KHz, 16KHz, 32KHz, 44.1KHz, 48KHz optional Port: 1 linear input, 1 linear output

Smart Functions	Wire cross, regional invasion detection, scene change, defocus, color cast, low brightness and high brightness
Alarm	2 alarm inputs, 1 on-off output
Network Delay	≤250ms
Motion Detection	Supports up to 4 motion detecting areas
Privacy Mask	Up to 4 masks
ROI	Up to 8 regions
Internal Storage	Supports a Micro SD/SDHC/SDXC card (128G)
Mirroring Storage	Supports uploading of recordings saved on TF card during network disconnection to the VMS or NVR after network recovery
Local PC Recording	Available
Remote Network Upgrade	Available
Security	Password protection, IP Address Filtering, User Access Log
Network Port	One RJ45 10/100M self-adaptive Ethernet port
Analog Video Output	Available, BNC connector
Network Protocols	IPv4, IPv6, TCP, UDP, IGMP, DHCP, FTP, SNMP (V3), SMTP, NTP, RTP, RTSP, RTCP, HTTP, HTTPS, TSL, SSL, 802.1X, QoS, PPPoE, DNS, DDNS, ARP, ICMP, UPnP
Power Supply	PoE (IEEE 802.3af)/12VDC/24VAC
Power	<8W
Protection Design	Lighting protection (network port and power supply connector): protection difference mode 2KV, common mode 2KV surge; Anti-static (all ports): contact protection 6KV static
Operating Temperature	-40°F ~ 140°F (-40°C ~ 60°C)
Storage Temperature	-4°F ~ 140°F (-20°C ~ 60°C)
Operating Humidity	0%~95% RH (non-condensing)
Unit Dimension (H×W×D)	3.20"×3.75"×8.08" (81.3mm×95.2mm×205.2mm)
Box Dimensions	12.05"×6.89"×5.75" (306mm×175mm×146mm)
Net Weight	1.37lbs. (0.62kg)
Shipping Weight	1.87lbs. (0.85kg)
<b>Certifications and Approval</b>	
Product Certifications	CE, FCC, ISO 9001:2008

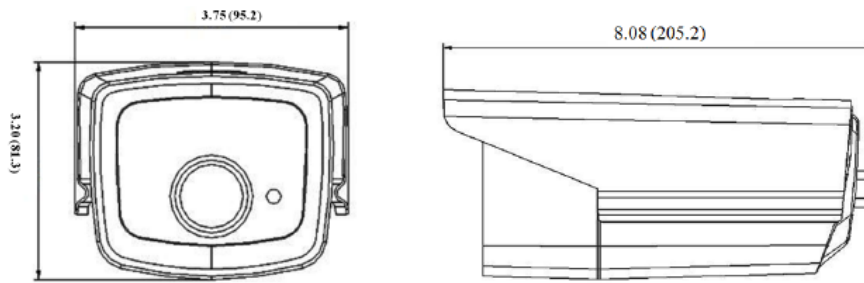
## Ordering information

VH211-B402-A0	HD 4MP WDRMegapixel IR Smart IP Box Camera, 4.0Mpx, 1/3"CMOS, day/night, H.265/H.264/M-JPEG, with audio alarm, 2.8mm fixed zoom lens, 30m IR distance, outdoor, IP66, PoE/12VDC/24VAC
VH211-B403-A0	HD 4MP WDRMegapixel IR Smart IP Box Camera, 4.0Mpx, 1/3"CMOS, day/night, H.265/H.264/M-JPEG, with audio alarm, 3.6mm fixed zoom lens, 30m IR distance, outdoor, IP66, PoE/12VDC/24VAC
VH211-B406-A0	HD 4MP WDRMegapixel IR Smart IP Box Camera, 4.0Mpx, 1/3"CMOS, day/night, H.265/H.264/M-JPEG, with audio alarm, 6mm fixed zoom lens, 30m IR distance, outdoor, IP66, PoE/12VDC/24VAC
VH211-B408-A0	HD 4MP WDRMegapixel IR Smart IP Box Camera, 4.0Mpx, 1/3"CMOS, day/night, H.265/H.264/M-JPEG, with audio alarm, 8mm fixed zoom lens, 30m IR distance, outdoor, IP66, PoE/12VDC/24VAC
VH211-B412-A0	HD 4MP WDRMegapixel IR Smart IP Box Camera, 4.0Mpx, 1/3"CMOS, day/night, H.265/H.264/M-JPEG, with audio alarm, 12mm fixed zoom lens, 30m IR distance, outdoor, IP66, PoE/12VDC/24VAC

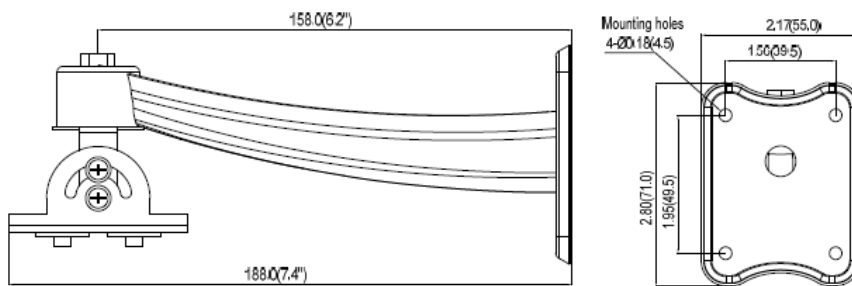
### Optional Products

V1554-6	Camera bracket, wall mounted, 6 inches high, rotatable with horizontal 360°, vertical 0-80°, 150g
V1554-W	Universal joint bracket, joint to camera and the main bracket, rotatable with horizontal 60°, vertical 0-75°, available to bear 15kg objects

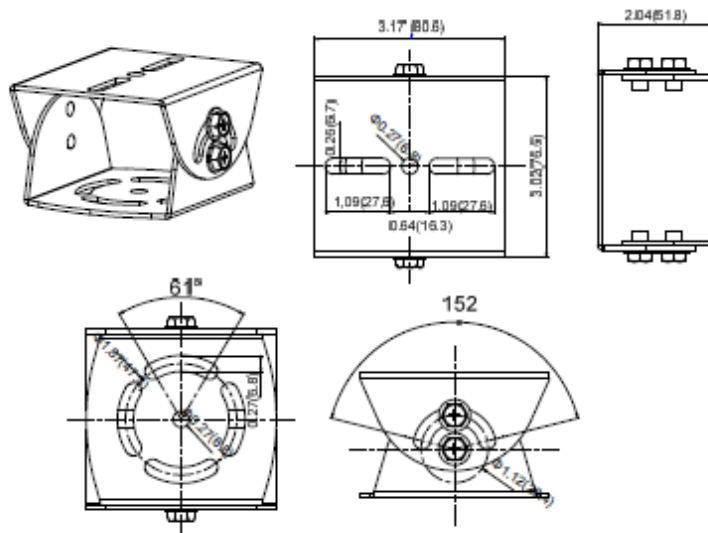
# Dimensions



Camera



Mount



(Unit: inch, in the parentheses is mm)