

VPA311-A514-M0

HD 5MP FISHEYE CAMERA

Infinova[®]



FEATURES

- 1/2.7" progressive scan CMOS
- Plastic Housing
- Up to 2592x1944@30fps
- S+265/H.265/H.264/M-JPEG
- Min. illumination Color: 0.02Lux@F2.0
- Smart IR, IR Range: 30m
- Audio I/O 1/1, Alarm I/O 1/1
- Support Tripwire, Perimeter, Double Tripwire
- Heat map
- Built-in Mic, SD Card slot
- Operating Conditions -10°~50°, 0~95% RH
- 360° panoramic View, 180° panoramic View
- POE

DESCRIPTION

Infinova VPA311-A514-M0 HD 5MP Fisheye camera applies 1/2.7-inch CMOS sensor and 1.4mm fixed lens. The built-in IR lights can cover up to 30m.

With S+265/H.265/H.264/M-JPEG video compression formats, the camera outputs three video streams and delivers high-quality images with resolution up to 2592x1944@30fps, which can provide marvelous definition, color restoration and accurate details.

It can be used in large-scale indoor monitoring scenarios, such as banks, supermarkets, and shopping malls

TECHNICAL SPECIFICATIONS

Lens (Visible)		Defog	Available
Image Sensor	1/2.7" progressive scan CMOS	EIS	-
Optical Zoom	-	Mirror	Horizontal/Vertical mirror
Digital Zoom	-	Corridor Mode	-
Focal Length	f=1.4mm	Day/Night Switching	Dual IR Cut Filter with Auto Switch
Iris	F2.0, Fixed	AGC	Auto/Manual
Focus	Fixed	BLC	Available
FOV(H/V/D)	H:180°; V:180°; D:180°	HLC	Available
Lens Mount	M12	Privacy Mask	Up to 4 definable zones
Lens (Thermal)		ROI	Up to 8 definable zones
Imager Type	-	OSD	Supported
Lens Type	-	Pan/Tilt Functions	
Spectral Band	-	Preset	-
Pixel Size	-	Pattern	-
NETD	-	Autopan	-
Focal Length	-	Normal Tour	-
FOV	-	Home Return	-
Video		Timing Tour	-
Camera Resolution (Visible Lens)	5MP	Autoscan	-
Camera Resolution (Thermal Lens)	-	Area Zoom	-
Max. Coding Capacity (Visible Lens)	Major stream: H.264/H.265-30fps@2592x1944 Minor stream: H.264/H.265-30fps@704x576 Third stream: MJPEG -30fps@1920x1080	IR Illumination	
Max. Coding Capacity (Thermal Lens)	-	Smart-IR	Available
Data Rate	32kbps~8192kbps	Wave Length	850nm
Video Compression	S+265/H.265/H.264/M-JPEG	Night Vision Distance	30m
Multi-Streaming	Three-stream independent output	Temperature Measurement	
Video Rotation	Video can be rotated by 90°, 180°	Screening Function	-
Audio		Measurement	-
Audio Compression	G.711A/G.711U/ADPCM/AAC	Measurement Distance	-
Sample Rate	8K~48Kbps	Measurement Range	-
Audio Interface	1 input, Linear level; 1 output, Linear level	Accuracy	-
Two-way Audio	Available	Smart Analytics	
Mic & Speaker	Build-in Mic	Video Analytics	Motion Detection - Available Smart Video Analytics - Tripwire, Perimeter, Double Tripwire, Heat map
Image		Storage	
Shutter	Auto/Manual (1/1s~1/100000s)	Storage Slots	Support single card
WDR	Up to 120dB	Built-in Storage	up to 512GB
Exposure	Auto/Manual	NAS Storage	-
Sensitivity	Color: 0.02Lux@ (F2.0, AGC ON), B/W: 0Lux with IR	Local PC Recording	Available
White Balance	Auto/Manual/Natural light/Warm light	Alarm	
Video Adjustment	Saturation, Brightness, Contrast and Sharpness	Alarm Ports	1 alarm inputs, 1 alarm output
Noise Reduction	3D	Alarm Input	Motion Detection, Mask Alarm, IP Address Conflict, I/O input, network disconnection
S/N Ratio	60dB	Alarm Association	I/O output, FTP Server Exception, Disk R/W Error
		System Functions	
		Operating System	Win 7 and higher versions
		Browser	IE8 and higher versions

TECHNICAL SPECIFICATIONS

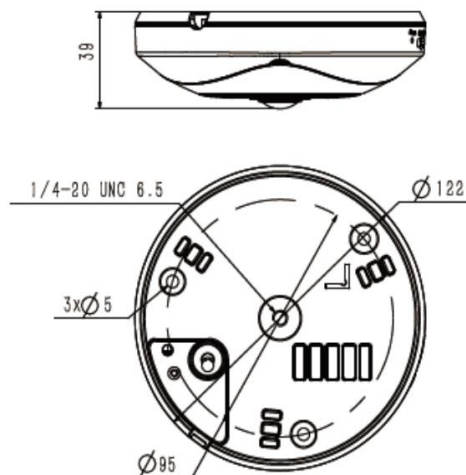
Access Protocol	ONVIF Profile S/G/T, SDK, CGI
Multiple Access	Up to 2-ch simultaneous access
Web Server	Available
Remote Upgrade	Available
Password Protection	Available
RS485 Port	-
Analog Video Output	-
Maximum Number of Users	32
Wiper	-
Network	
Network Interface	1 RJ45 10M/ 100M self-adaptive Ethernet port HTTP, HTTPS, TCP/IP, UDP, UPnP, ICMP, IGMP, SNMP, DHCP, DNS, DDNS, Easy, DDNS, NTP, SMTP, 802.1X, QoS, IPv4, IPv6, PPPOE, SSH, Unicast, Multicast, RTCP, ARP, SRTP, RTMP, RTSP
Network Protocols	
IP Address Filtering	-
Network Delay	<200ms
Environmental	
Anti-Static	Air discharge: 8KV, contact protection: 6KV
Surge Protection	Difference mode: ±2KV, common mode: ±4KV
Operating Temperature	14°F ~ 122°F (-10°C ~ 50°C)

Storage Temperature	-30°C ~ 60°C
Operating Humidity	≤ 95% RH
Environmental Rating	-
Impact Resistance	-
Mechanical	
Manual Speed	-
Preset Speed	-
Rotation Angle	-
Preset Accuracy	-
Electric Motor	-
Electrical	
Power Supply	PoE (IEEE 802.3af Class 2) /12VDC
Power Consumption	<11W(12V); <11.6W(POE)
Physical	
Product Dimension (L×W×H) or (H x D)	37.5mm(H) x 122mm(D)
Package Dimension (L x W x H)	138×138×110mm
Unit Weight	0.57lbs. (0.26Kg)
Shipping Weight	0.92lbs. (0.42Kg)
Certifications	
Product Certifications	-

ORDERING INFORMATION

VPA311-A514-M0	HD Megapixel Fisheye Camera, 5MP, Fixed lens 1.4mm, 1/1.7" CMOS, Day/Night, Built-in Mic, IR illumination distance up to 30m, PoE/12VDC/24VAC
Accessories	
Power Supply	
N3921-12D-1	AC to DC Power Supply, Plug-In, 230VAC, Output 12VDC, 1.5A

DIMENSIONS



(Unit: mm)