

VS120-B2-B0 Series

HD 2MP HDR Low Light IP Minidome Camera

Infinova[®]
The Integrator's Manufacturer



- **1/3" progressive scan CMOS sensor**
- **IR-Cut Removable (ICR) Filter for Day/Night switching**
- **Sensitivity: 0.005 lux**
- **Motorized zoom lens for auxiliary focus**
- **Supports P-IRIS function**
- **Supports WDR function**
- **Multiple intelligent functions**
- **High-resolution image signal output up to 1920×1080@60fps**
- **Three Simultaneous Video Streams: Dual H.264 & Scalable M-JPEG**
- **Provides superior image quality**
- **Supports built-in storage**
- **Supports fixed-time recording and snap shooting**
- **Bi-directional audio, PCM/ADPCM/G726/G711**
- **1 alarm input, 1 relay output**
- **Supports multiple ways to trigger alarms**
- **Supports simultaneous multi-user (up to 20) access and parameter configuration via Web Sever**
- **Compatible with Infinova's digital video surveillance software, easily incorporated with other video surveillance software**
- **ONVIF-compliant**
- **Provide standard SDK, easily integrated with other digital systems**
- **PoE/24VAC power supply**
- **Surface, bracket or ceiling mount**
- **3-axis adjustment**

Infinova's VS120-B2-B0 series megapixel HDR low light IP minidome cameras allow image output resolution up to 1920×1080@60fps. The camera provides excellent resolution and color reproduction, acquires richer and more accurate details and guarantees intelligent analysis accuracy in a more effective way, which caters for different application needs.

VS120-B2-B0 series boasts of rich intelligent functions, such as illegal damage detection (to protect the lens from obstruction or deviating), motion detection, wire cross detection, regional intrusion detection, abandoned objects detection, face detection, people counting detection and so on. The camera applies to various high-end businesses.

Compact structure makes it easy to install. Also, this camera provides 3-axis adjustment, easy to adjust the monitoring angle.

VS120-B2-B0 series camera is designed for municipal construction and intelligent buildings. Particularly, it is widely used in sports center, exhibition center, museums and star-grade hotels

Technical specifications

Image Sensor	1/3" progressive scan CMOS
Lens	Motorized zoom lens: F1.2, f=3.0-9.0mm; F1.4, f=2.8-12mm
P-IRIS	Available
Camera Angle Adjustment	X (Panning): 0°~360°; Y (Tilting): -75°~75°; Z (Rotating): 0°~360°
Day/Night Functionality	ICR
Sensitivity	Color mode: 0.05 lux @ F1.2 (30IRE, AGC ON); B/W mode: 0.005 lux @ F1.2 (30IRE, AGC ON)
Exposure	Auto/Manual
Shutter	Auto/Manual (1/1s~1/32000s)
Slow Shutter	Available
Gain Control	Auto/Manual
White Balance	Auto/ Outdoor/Manual
Noise Reduction	3D
WDR	Available, >120dB
White Balance	Auto/Manual
Image Adjustment	Brightness, Sharpness, Contrast, Hue, Saturation
Image Enhancement	highlighting inhibition, dark enhancement, contrast enhancement, 2D/3D noise reduction, backlight compensation
Video Compression	H.264 High profile/M-JPEG
Maximum Resolution	1920×1080@H.264/M-JPEG
Optional Resolution	Major stream: 1920×1080, 1280×960; 1280×720, 720×576, 352×288; Minor stream1: 720×576, 352×288; Minor stream2: 1920×1080, 1280×960; 1280×720, 720×576, 352×288
Maximum Frame Rate	60fps@H.264
Data Rate	Variable bit rate; Constant bit rate: 256Kbps~8Mbps
ROI	Supported
OSD	Supported
Intelligent Video Analysis	Illegal damage detection, motion detection, wire cross detection, regional intrusion detection, abandoned objects detection, face detection, crowd density detection, queue monitoring, people counting and customer focus detection and so on
Audio Compression	PCM/ADPCM/G726/G711_U
Audio Port	1 input (Linear level, Resistance: 1000 Ohm), 1 output (Linear level, Resistance: 600 Ohm)
Audio Samples	8K, 12K, 16K, 24K, 44K, 48K
Alarm	1 alarm input, 1 relay output
Timing Functions	Timing snap shooting and recording

TF Card Storage	Available, up to 32G (snap shooting and recording can be stored)
Broken Network Storage	Supported
Schedule	Month, week, day and hour can be set, multi-schedule can be combined for storage and event calls
Health Diagnosis	CPU overload, SD card change, full recording, high temperature and so on
Security Connection	signature certificate, password protection, user's authority management, session, management, IP filter
Privacy Mask	Supported
Access Protocols	ONVIF2.4, CGI2.7
Network Port	One RJ45 10/100M self-adaptive Ethernet port
Applicable Protocols	IPv4, TCP, UDP, IGMP, DHCP, FTP, SNMP (V3), SMTP, NTP, RTP, RTSP, RTCP, HTTP, HTTPS, TLS, SSL, QoS, PPPoE, DNS, ARP, ICMP
Simultaneous Web Access	20 (64M altogether)
Password Protection	Available
Power Supply	PoE (IEEE 802.3af Class 3) /24VAC < 5W
Power Consumption	(Instantaneous power consumption: < 12W, under 5°C, w/ heater)
Operating Temperature	14°F~122°F (-10°C~+50°C)
Storage Temperature	-4°F~140°F (-20°C~+60°C)
Operating Humidity	0%-95% RH (non-condensing)
Unit Dimensions (H×Ø)	Surface: 3.88"×5.32" (98.5mm ×135mm) Bracket: 5.45"×5.32" (139.5mm×135mm) Ceiling: 5.06"×7.87" (128.6mm×200mm)
Box Dimensions (L×W×H)	Surface: 8.03"×7.48"×7.13" (204 mm×190 mm×181mm) Bracket mounting adapter: 8.03"×7.48"×3.66" (204 mm×190 mm×93mm) Ceiling mounting adapter: 10.39"×9.84"×5.83" (264 mm×250mm×148mm)
Unit Weight	Surface: 1.06lbs. (0.48kg) Bracket mounting adapter: 0.55lbs. (0.25kg) Ceiling mounting adapter: 0.99lbs. (0.45kg)
Shipping Weight	Surface: 2.01lbs. (0.91kg) Bracket mounting adapter: 1.06lbs. (0.45kg) Ceiling mounting adapter: 1.76lbs. (0.80kg)
Certifications and Approval	
Product Certifications	CE/EMC: EN 55022, EN 55024, EN 61000-3-2, EN 61000-3-3 ¹ , FCC: Part 15 Subpart B Class A ² , UL 60950-1 ³ , ISO 9001:2008

Certificate No.: ¹ CTL1411062680-EC; ² CTL1411062680-FC; ³ E232008-A37-UL.

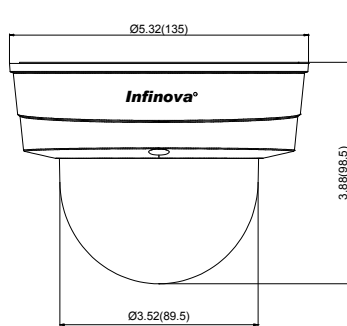
Ordering information

VS120-B20A-B012	HD Megapixel IP minidome camera, 3-axis, Day/night, 1/3 inch CMOS sensor, H.264/M-JPEG, 2.0 Mpx, PoE/24VAC, Indoor, Surface mount, 3.0-9.0mm vari-focal lens
VS120-B20A-B032	HD Megapixel IP minidome camera, 3-axis, Day/night, 1/3 inch CMOS sensor, H.264/M-JPEG, 2.0 Mpx, PoE/24VAC, Indoor, Recessed ceiling mount, 3.0-9.0mm vari-focal lens
VS120-B20A-B052	HD Megapixel IP minidome camera, 3-axis, Day/night, 1/3 inch CMOS sensor, H.264/M-JPEG, 2.0 Mpx, PoE/24VAC, Indoor, Bracket mount, 3.0-9.0mm vari-focal lens
VS120-B20B-B012	HD Megapixel IP minidome camera, 3-axis, Day/night, 1/3 inch CMOS sensor, H.264/M-JPEG, 2.0 Mpx, PoE/24VAC, Indoor, Surface mount, 2.8-12mm vari-focal lens
VS120-B20B-B032	HD Megapixel IP minidome camera, 3-axis, Day/night, 1/3 inch CMOS sensor, H.264/M-JPEG, 2.0 Mpx, PoE/24VAC, Indoor, Recessed ceiling mount, 2.8-12mm vari-focal lens
VS120-B20B-B052	HD Megapixel IP minidome camera, 3-axis, Day/night, 1/3 inch CMOS sensor, H.264/M-JPEG, 2.0 Mpx, PoE/24VAC, Indoor, Bracket mount, 2.8-12mm vari-focal lens

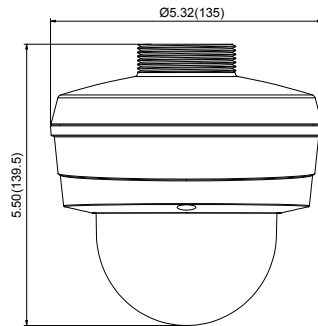
Mounts for bracket mount model

V1761MT-W1	Wall Mount, 6 inch horizontal, high gloss white, NPT 1 1/2"
V1762MT-W1	Corner Mount, 6 inch horizontal, high gloss white, NPT 1 1/2"
V1763MT-W1	Pole Mount, 6 inch horizontal, high gloss white, NPT 1 1/2"

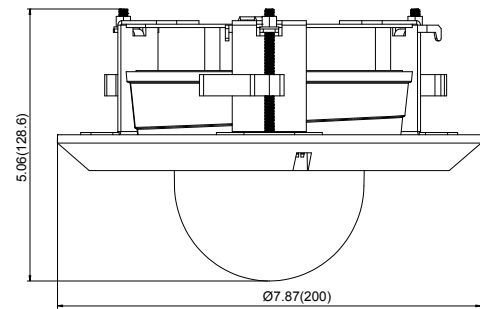
Dimensions



Surface Mount



Bracket Mount



Recessed Mount

(Unit: inch, in the parentheses is mm)