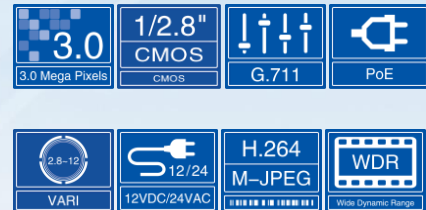


# VT111-A30B-MO Series

## 3MP IR Bullet Camera

**Infinova**<sup>®</sup>  
The Integrator's Manufacturer



- **1/2.8" Sony progressive scan CMOS sensor**
- **2.8-12mm motorized lens**
- **IR-Cut Removable (ICR) Filter for Day/Night switching**
- **3MP@30fps + SXGA@30fps**
- **Quad Streams Compression: H.264 Baseline/Main/High Profile & M-JPEG**
- **Supports multiple and dynamic ROI windows**
- **3D Motion Compensated Noise Reduction (MCTF)**
- **Text Overlay and Privacy Masks**
- **MicroSD Support**
- **Remote Zoom & Focus (Motorized Lens)(Optional)**
- **Motion Detection, Smart-IR mode and network failure detection**
- **IR LED module (working distance up to 50m)**
- **Integrated mounting bracket with cable management**
- **IP67 environmental rating**
- **IK10**
- **ONVIF Support**

VT111-A30B-MO series HDR 3MP IR IP bullet camera uses 1/2.8" Sony progressive scan CMOS sensor. H.264 Baseline/Main/High Profile & M-JPEG video compression format allows image output resolution up to 3MP@30fps + SXGA@30fps.

The new generation of built-in IR LED module can emit sufficient infrared lights to light up the area under surveillance. Functioned with ICR day/night switch, motion detection, smart IR mode and network failure detection, VT111-A30B-MO series is bound to enhance security and convenience for your CCTV surveillance system.

VT111-A30B-MO series is widely used in public security, subways, governments, schools, airports, factories, hotels, museums, city streets and other high-resolution surveillance applications.

## Technical specifications

<b>Camera</b>	
Image Sensor	1/2.8" Sony progressive scan CMOS
Effective Pixels	3M(2048x1536)
Sensitivity	Color mode: 0.04 lux B/W mode: 0.002 lux
Shutter	1/1s~1/10,000s
<b>Lens</b>	
Lens	Motorized
Focal Length	2.8-12mm
F Number	F1.7
FOV	96.21°(Wide) - 36.09°(Tele)
<b>Image setting</b>	
Iris Control	DC-Iris
Backlight Compensation	On/Off
White Balance	Auto/Manual/ATW/One Push
Noise Reduction	3D
WDR	Shutter WDR(HLC) On/Off(120dB)
Privacy Mask	On/Off
Brightness	Manual
Exposure	Auto/Manual
Sharpness	Manual
Contrast	Manual
Saturation	Manual
Hue	Manual
Digital Zoom	Support
Motion Detection	On/Off/By Schedule
Privacy Mask	On/Off
ICR	Auto/Day/Night
ICR + IR LED (Optional)	Auto/LED On/LED Off/Light Sensor/Day/Night
Tampering Alarm	On/Off/By Schedule
<b>Audio</b>	
Two-way Audio	Line in/Line Out
Compression	G.711/G.726/AAC/LPCM
<b>Network</b>	
Network Interface	RJ-45, 10/100Mbps Ethernet
Video Compression	MJPEG/H.264 (MPEG-4 Part 10/AVC) Baseline/Main Profile/High Profile Dual Streams: H.264 3M(2048x1536)@25/30fps + H.264 1080p@25/30fps
Video Streaming (Normal Mode)	Quad Streams: H.264 3M(2048x1536)@25/30fps + H.264 cif@25/30fps+ H.264 cif@25/30fps + H.264 CIF@25/30fps

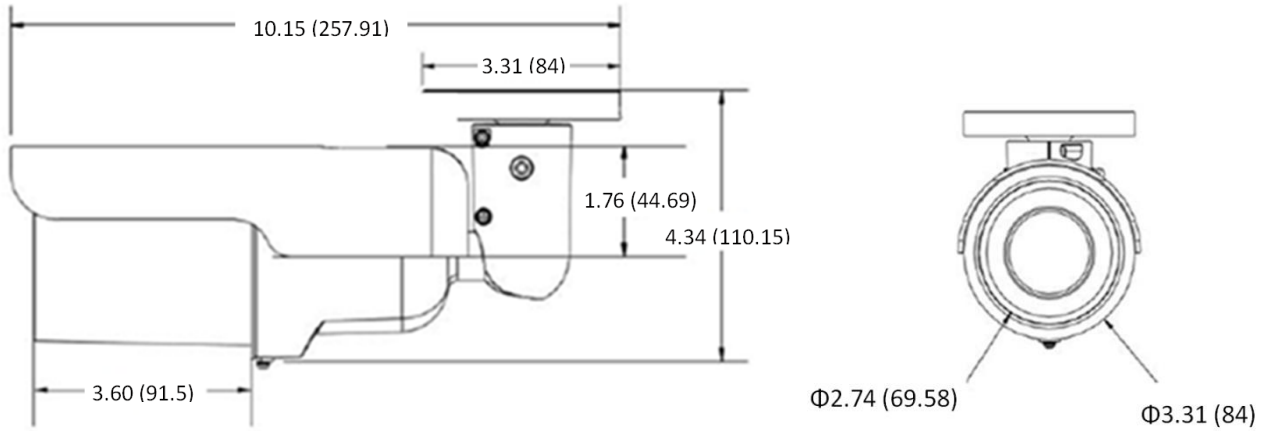
Video Streaming (HDR Mode)	Dual Streams: H.264 3M(2048x1536)@25/30fps + H.264 D1@25/30fps Quad Streams: H.264 3M(2048x1536)@25/30fps + H.264 CIF@25/30fps + H.264 CIF @25/30fps + H.264 CIF@25/30fps
Video Resolution	H.264: 3M (2048x1536)/FullHD1080P/720P/XGA/SVGA/D1/VGA/CIF MJPEG: Full HD 1080P/SXGA/720P/XGA/D1/VGA/CIF
Protocol	IPv4/v6, TCP/IP, UDP, RTP, RTSP, HTTP, HTTPS, ICMP, FTP, SMTP, NTP, DNS, DDNS, DHCP, PPPoE, UPnP, IGMP, SNMP, QoS, ONVIF, ARP
Security	HTTPS/IP Filter/IEEE 802.1X
Alarm	Input: 2 Set: 5V 10kΩ pull up; Output: 1 Set: Photo Relay Output 300V DC/AC
Event Notification	HTTP/FTP/SMTP
Micro SD	SDXC 128GB support
Supported Web Browser	Internet Explorer (6.0+)/Chrome/Firefox/Safari
User Account	20
Password Levels	User and Administrator
<b>Mechanical</b>	
Built-in IR Illuminator (Optional)	Working Distance: up to 50m; Wavelength: 850nm; Number of LEDs: 6
LED Indicator	Power/ACT
Connectors	Alarm: 5 Pin Terminal Block; Power: 2 Pin Terminal Block; Ethernet: RJ-45; Analog Video: 1.0 Vp-p / 75 Ω, BNC; Audio(Optional): Stereo phone jack, Φ 3.5 mm RS-485:D+,D-
<b>General</b>	
Operating Temperature	-22°F~131°F (-30°C~50°C); -67°F~131°F (-55°C~60°C) (w/Heater, powered by DC12V/AC24V/PoE)
Start-up Temperature	4°F~122°F (-20°C~50°C); -67°F~122°F (-55°C~60°C) (w/Heater, powered by DC12V/AC24V/PoE)
Humidity	10%~95% RH (non-condensing)
Weatherproof Standard (Optional)	IP66
Impact Resistance	Vandal Proof, IK10
Dimensions (HxØ)	7.6"×Ø3.3" (270mm×Ø90mm)
Weight	2.07lbs. (0.94kg)
Power Source	PoE/12VDC/24VAC
Power Consumption	PoE: <18W;12VDC: <18W;24VAC: <18W; System: 3.64W; Zoom/Motorized Lens: +1.1W; IR LED: +4W; Heater: +4W; SD Card: +0.6W; Heater: 8.5W-Cold Start
<b>Certifications and Approval</b>	
Product Certifications	CE/FCC/RoHS/LVD/UL <sup>1</sup>

Certificate No.: <sup>1</sup>E232008-A50-UL

## Ordering information

VT111-A30B-M0 IR IP bullet camera, Day/night, 1/2.8 inch CMOS sensor, H.264/M-JPEG, 3.0Mpx, 50m IR range, PoE/12VDC/24VAC, 2.8-12mm motorized zoom lens, IP66, Indoor/Outdoor

## Dimensions



(Unit: inch, in the parentheses is mm)