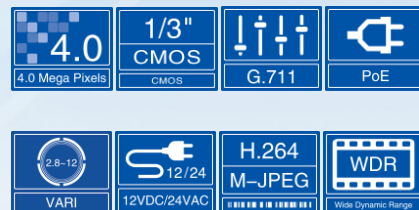


VT111-A40B-M0 Series

4MP IR IP Bullet Camera

Infinova[®]
The Integrator's Manufacturer



- **Multiple Progressive Scan CMOS Sensor Support 4M Resolution**
- **Shutter HDR (Optional)**
- **Low Latency Streaming**
- **Low Power Consumption on Encoding**
- **Quad codec support (H.264 Baseline / Main Profile / High Profile / MJPEG)**
- **Quad Streams Support**
- **Tampering Alarm**
- **Motion Detection**
- **Text Overlay and Privacy Masks**
- **3D Motion Compensated Noise Reduction (MCTF)**
- **Network Failure Detection**
- **True Day/Night Function (ICR)**
- **IR LED Module support (working distance up to 60m) (Optional)**
- **BNC Analog Output**
- **Weatherproof (IP67 International)**
- **Integrated Mounting Bracket with Cable Management**
- **ONVIF Profile S Support**

VT111-A40B-M0 series HDR 4MP IR IP bullet camera uses 1/3" Sony progressive scan CMOS sensor. H.264 Baseline/Main/High Profile & M-JPEG video compression format allows image output resolution up to 4M (2688x1512) @ 25/30 fps + D1 @ 25/30 fps.

The camera is equipped with HDR function and provides two shutter WDR images, which is suitable for scenarios under extreme light contrast or environments with changing lighting. Its new generation of built-in IR LED module can emit sufficient infrared lights to light up the area under surveillance. Functioned with ICR day/night switch, motion detection, smart IR mode and network failure detection, VT111-A40B-M0 series is bound to enhance security and convenience for your CCTV surveillance system.

VT111-A40B-M0 series is widely used in public security, subways, governments, schools, airports, factories, hotels, museums, city streets and other high-resolution surveillance applications.

Technical specifications

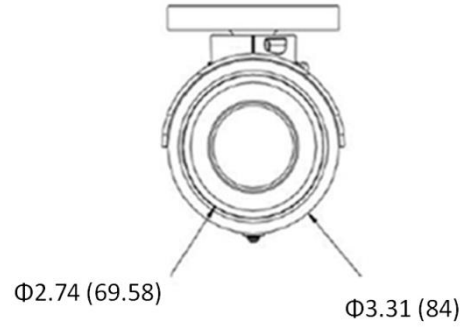
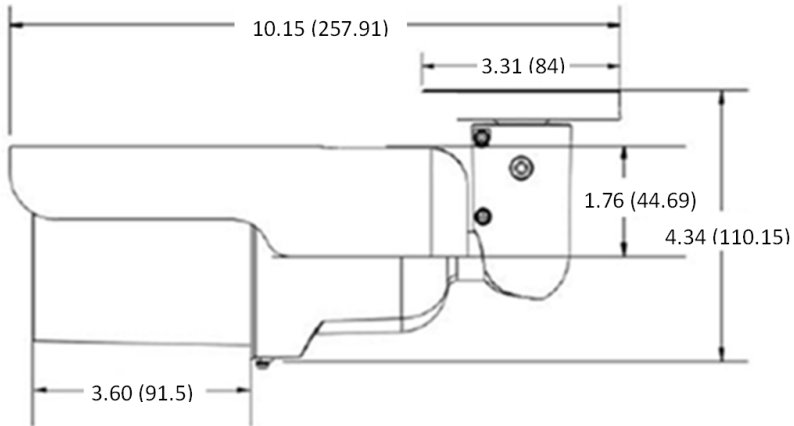
Camera	
Image Sensor	1/3" progressive CMOS
Effective Pixels	4M (2688x1520)
Sensitivity	Color mode: 0.01 lux B/W mode: 0lux(IR ON)
Shutter	1/1s~1/10,000s
S/N Ratio	>50dB
Lens	
Lens	Motorized
Focal Length	2.8-12mm
F Number	F1.7
FOV	109° (Wide) - 33° (Tele)
Image setting	
Iris Control	DC-Iris/P-Iris
Backlight Compensation	On/Off
White Balance	Auto/Manual/ATW/One Push
Noise Reduction	3D/2D/Color
WDR	Shutter WDR On/Off (<120dB)
Privacy Mask	On/Off
Brightness	Manual
Exposure	Auto/Manual
Sharpness	Manual
Contrast	Manual
Saturation	Manual
Hue	Manual
Digital Zoom	Support
ICR	Auto/Day/Night
ICR + IR LED (Optional)	Auto/LED On/LED Off/Light Sensor/Day/Night
Day/Night Threshold	Support
Event Setting	
Motion Detection	By Schedule/On/Off
Tampering Alarm	By Schedule/On/Off
Network Failure Detection	By Schedule/On/Off
Audio Detection	On/Off
Audio	
Two-way Audio	Line in/Line Out
Compression	G.711/G.726/AAC/LPCM
Network	
Network Interface	RJ-45, 10/100Mbps Ethernet
Video Compression	MJPEG/H.264 (MPEG-4 Part 10/AVC) Baseline/Main Profile/High Profile

Video Streaming (Normal Mode)	Dual Streams: H.264 4M (2688x1512) @25/30 fps + H.264 D1 @25/30 fps Quad Streams: H.264 4M (2688x1512) @25/30 fps + H.264 720P @25/30 fps + H.264 VGA @25/30 fps + H.264CIF @25/30 fps
Video Streaming (HDR Mode)	Dual Streams: H.264 4M (2560x1440) @25/30 fps + H.264 D1 @25/30 fps Quad Streams: H.264 4M (2560x1440) @25/30 fps + H.264 SVGA @15 fps + H.264 CIF @15 fps + H.264 CIF @15fps
Video Resolution	H.264: 4M (2688x1512) / Full HD 1080P / SXGA / 720P / XGA / SVGA / D1 / VGA / CIF MJPEG: Full HD 1080P / SXGA / 720P / XGA / SVGA / D1 / VGA / CIF
Protocol	IPv4/v6, TCP/IP, UDP, RTP, RTSP, HTTP, HTTPS, ICMP, FTP, SMTP, DHCP, PPPoE, UPnP, IGMP, SNMP, QoS, ONVIF
Security	HTTPS/IP Filter/IEEE 802.1X
Alarm	Input: 2 Set: 5V 10kΩ pull up; Output: 1 Set: Photo Relay Output 300V DC/AC
Event Notification	HTTP/FTP/SMTP
SD	SDXC 128GB support
Supported Web Browser	Internet Explorer (6.0+)/Chrome/Firefox/Safari
User Account	20
Password Levels	User and Administrator
Mechanical	
Built-in IR Illuminator (Optional)	Working Distance: up to 60m; Wavelength: 850nm; Number of LEDs: 6
LED Indicator	Power /ACT
Connectors	Alarm: 5 Pin Terminal Block; Power: 2 Pin Terminal Block; Ethernet: RJ-45; Analog Video: 1.0 Vp-p / 75 Ω, BNC; Audio: Stereo phone jack, Φ 3.5 mm RS-485: D+, D-
General	
Operating Temperature	-22°F~131°F (-30°C~55°C); -67°F~131°F (-55°C~60°C) (w/ heater, powered by DC12V/AC24V/PoE)
Start-up Temperature	w/o heater -4°F (-20°C); w/ heater: -67°F (-55°C)
Humidity	0%~95% RH (non-condensing)
Weatherproof Standard (Optional)	IP67
Dimensions (HxØ)	7.6"×Ø3.3" (270mm×Ø90mm)
Vandal proof Standard	IK10
Weight	2.07lbs. (0.94kg)
Power Source	PoE/12VDC/24VAC
Power Consumption	Operation (802.3af) System: 3.64w Operation (802.3af) Others: 1.1w (Motorized lens); 4w (IR LED); 4w (w/ heater); 0.6w (SD Card) Operation (802.3af) Heater: 8.5w
Certifications and Approval	
Product Certifications	EN61000-3-3; IEC61000-4-2/ EN 55024; IEC61000-4-3/ EN 55024; IEC61000-4-4/ EN 55024; IEC61000-4-5/ EN 55024; IEC61000-4-6/ EN 55024; IEC61000-4-8/ EN 55024; IEC61000-4-11/EN 55024, UL60950-1

Ordering information

VT111-A40B-M0 IR IP bullet camera, Day/night, 1/3 inch CMOS sensor, H.264/M-JPEG, 4.0Mpx, 60m IR range, PoE/12VDC/24VAC, 2.8-12mm motorized zoom lens, IP67, Indoor/Outdoor

Dimensions



(Unit: inch, in the parentheses is mm)