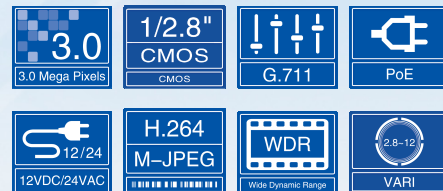


# VT121-A3-M0 Series

## Superior HDR Mini Rugged Dome IP Camera

**Infinova**<sup>®</sup>  
The Integrator's Manufacturer



- **Multiple Progressive Scan CMOS Sensor Support 3M Resolution**
- **Multi-exposure HDR**
- **Low Latency Streaming**
- **Low Power Consumption on Encoding**
- **Quad codec support (H.264 Baseline / Main Profile / High Profile / MJPEG)**
- **Quad Streams Support**
- **Tampering Alarm**
- **Motion Detection**
- **Text Overlay and Privacy Masks**
- **3D Motion Compensated Noise Reduction (MCTF)**
- **Network Failure Detection**
- **True Day/Night Function (ICR)**
- **IR LED Module support (working distance up to 40m)**
- **BNC Analog Output**
- **Weatherproof (IP66 International)**
- **Vandal Proof (IK10 Rating)**
- **64GB SDXC SD Card support**
- **ONVIF Profile S Support**

The Superior HDR Mini Rugged Dome IP Camera is a high-end surveillance solution with easy set up design. Supporting up to 4M real-time video and Quad Streams Codec (H.264 Baseline / Main / High Profile + MJPEG) offers supreme image quality while keeping efficient bandwidth for storage management.

Equipped with HDR function, VT121-A3-M0 Series provides up to 3M real-time stream with 2 shutter WDR images, which is suitable for scenarios under extreme light contrast or environments with changing lighting.

The compact outlook design of VT121-A3-M0 Series is ideal for hard surface mount installation, and with standard sized conduit for cabling in outdoor environment. Meanwhile, the modularized design of VT121-A3-M0 Series makes the installation even easier by snapping on the camera module after housing installation directly. Mounting accessories like recessed mount, wall mount bracket, pendant mount kit are available for VT121-A3-M0 Series.

## Technical specifications

|                           |   |
|---------------------------|---|
| <b>Camera</b>             |   |
| Image Sensor              | 1/2.8" Sony Progressive CMOS sensor                                       |
| Effective Pixels          | 3M (2048x1536)  |
| Sensitivity               | Color mode: 0.04 lux<br>B/W mode: 0.002 lux                               |
| Shutter                   | 1/1s~1/10,000s  |
| <b>Lens</b>               |   |
| Lens                      | Motorized   |
| Focal Length              | 2.8-12mm  |
| F Number                  | F1.8  |
| FOV                       | 96.21° (Wide) - 36.09° (Tele)   |
| <b>Image setting</b>      |   |
| Iris Control (Optional)   | DC Iris   |
| Backlight Compensation    | On/Off  |
| White Balance             | Auto/Manual/ATW/One Push  |
| Noise Reduction           | 3D/2D/Color   |
| WDR                       | Shutter WDR On/Off (<120 dB)  |
| Privacy Mask              | On/Off  |
| Brightness                | Manual  |
| Exposure                  | Auto/Manual   |
| Sharpness                 | Manual  |
| Contrast                  | Manual  |
| Saturation                | Manual  |
| Hue                       | Manual  |
| Digital Zoom              | Support   |
| Privacy Mask              | On/Off  |
| ICR                       | Auto/Day/Night  |
| ICR + IR LED (Optional)   | Auto/LED On/LED Off/Light Sensor/Day/Night                                |
| Day/Night Threshold       | Support   |
| <b>Event Setting</b>      |   |
| Motion Detection          | By Schedule/On/Off  |
| Tampering Alarm           | By Schedule/On/Off  |
| Network Failure Detection | By Schedule/On/Off  |
| Audio Detection           | On/Off  |
| <b>Audio</b>              |   |
| Two-way Audio             | Line in/Line Out  |
| Compression               | G.711/G.726/AAC/LPCM  |
| <b>Network</b>            |   |
| Network Interface         | RJ-45, 10/100Mbps Ethernet  |
| Video Compression         | MJPEG / H.264 (MPEG-4 Part 10/AVC) Baseline / Main Profile / High Profile |

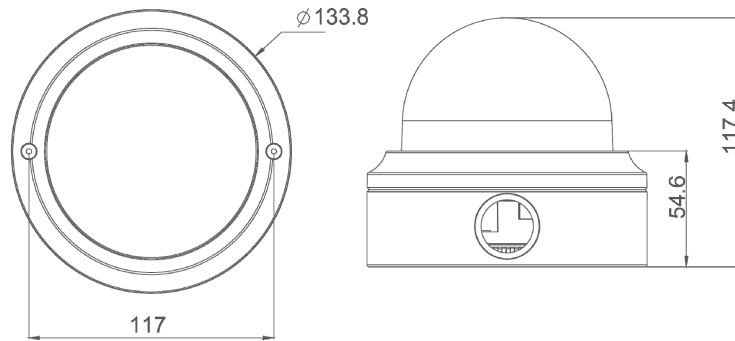
|                                    |   |
|------------------------------------|---|
| Video Streaming                    | Dual Streams:<br>Normal mode: H.264 3M (2048x1536) @ 25/30 fps + H.264 1080p @ 25/30 fps;<br>HDR mode: H.264 3M (2048x1536) @ 25/30 fps + H.264 d1 @ 25/30 fps<br>Quad Streams:<br>Normal mode: H.264 3M (2048x1536) @ 25/30 fps + H.264 1080p @ 25/30 fps + H.264 cif @ 25/30 fps + H.264 cif @ 25/30 fps;<br>HDR mode: H.264 3M (2048x1536) @ 25/30 fps + H.264 cif @ 25/30 fps + H.264 cif @ 25/30 fps + H.264 cif @ 25/30 fps |
| Video Resolution                   | H.264: 3M (2048x1536) / Full HD 1080P / 720P / XGA / SVGA / D1 / VGA / CIF<br>MJPEG: Full HD 1080P / 720P / XGA / SVGA / D1 / VGA / CIF   |
| Protocol                           | IPv4/v6, TCP/IP, UDP, RTP, HTTP, HTTPS, ICMP, FTP, SMTP, DHCP, PPPoE, UPnP, IGMP, SNMP, QoS, ONVIF  |
| Security                           | HTTPS/IP Filter/IEEE 802.1X   |
| Alarm                              | Input: 1 Set: 5V 10kΩ pull up;<br>Output: 1 Set: Photo Relay Output 300V DC/AC  |
| Event Notification                 | HTTP/FTP/SMTP   |
| Micro SD                           | SDXC 64GB support   |
| Supported Web Browser              | Internet Explorer (6.0+)/Chrome/Firefox/Safari  |
| User Account                       | 20  |
| Password Levels                    | User and Administrator  |
| <b>Mechanical</b>                  |   |
| Built-in IR Illuminator (Optional) | Working Distance: up to 40m;<br>Wavelength: 850nm;<br>Number of LEDs: 6   |
| LED Indicator                      | Power/ACT   |
| Connectors                         | Alarm: 4 of 9 Pin Terminal Block;<br>Power: 2 Pin Terminal Block (male);<br>Ethernet: RJ-45;<br>Analog Video: 1.0 Vp-p / 75 Ω, BNC;<br>Audio (Optional): 5 of 9 Pin Terminal Block<br>RS-485: 3 Pin Connector   |
| <b>General</b>                     |   |
| Operating Temperature              | -30°C ~ 55°C (-22° ~ 131°F)<br>-55°C ~ 55°C (-67° ~ 131° F), w/Heater, powered by 12VDC/24VAC/PoE   |
| Start-up Temperature               | w/o heater: -20°C (-4°F)<br>w/ heater: -55°C (-67°F)  |
| Humidity                           | 10%~90% RH (non-condensing)   |
| Weatherproof Standard (Optional)   | IP66  |
| Dimensions (HxØ)                   | 4.6"×5.2" (117.4mm×133.8mm)   |
| Weight                             | 1.69 lbs (0.77kg)   |
| Power Source                       | PoE (802.3af) / 12VDC / 24VAC   |
| Power Consumption                  | Operation (802.3af) System: 3.64W;<br>Operation (802.3af) Others:<br>Zoom/Motorized Lens: +1.1W<br>IR LED: +4W<br>Heater: +4W<br>SD Card: +0.6W<br>Cold start (802.3af) Heater: 8.5W  |
| <b>Certifications and Approval</b> |   |
| Product Certifications             | CE: EN 60950-1:2006+A11:2009+A1:2010+A12:2011+A2 <sup>1</sup> ; 2013/UL <sup>2</sup> /FCC 47 CFR Part 15, Subpart B:2015 <sup>3</sup>   |

Certificate No.: <sup>1</sup>L0339L39-B2-L; <sup>2</sup>E232008-A45-UL; <sup>3</sup>I0053221001

## Ordering information

VT121-A30B-M022 IR IP minidome camera, Day/night, 1/2.8 inch CMOS sensor, H.264/M-JPEG, 3.0Mpx, 40m IR range, 2.8-12mm motorized zoom lens, IP66, IK10, Indoor/Outdoor, Surface mount, PoE/12VDC/24VAC,

## Dimensions



(Unit: mm)