

VT230-A2 SERIES

HD 2MP SMART STARLIGHT WDR IR IP PTZ DOME CAMERA

Infinova[®]



FEATURES

- Inbuilt 33X HD integrated camera module
- 1/2.8" progressive scanning CMOS sensor
- ICR infrared filter type automatic switch to realize true day/night surveillance
- Starlight-level ultra-low illumination: 0.0001 lux
- Supports multi-frame composite pattern wide dynamic and the maximum dynamic range is 132dB
- HD network video output: 1920x1080@60fps
- Features smart functions and achieves border protection (wire cross and intrusion supported)
- Supports intelligent tracking
- H.265+M-JPEG or H.264+M-JPEG video encoding, three video streams
- Supports dual SD card
- Supports alarm recording and alarm snapshots
- Bi-directional audio, G.711a/G.711u/G.726/AAC standard optional
- 2 alarm inputs and 1 alarm
- Supports motion detection, up to 4 areas
- Supports multiple ways to trigger alarms, such as I/O input, motion detection, intelligent analysis, SD card removal, network disconnection, heartbeat loss, etc.; supports flexible alarm associated configurations, such as I/O output, email, FTP uploading, audio, SD card snapshot and SD card recording
- Supports Region of Interest (ROI) for which 8 regions can be divided
- Allows multiple users to perform live access and parameters settings via Web Server
- Supports preset, autopan, pattern, autoscan, time tour, normal tour, power-on return, etc.
- Supports ONVIF Profile S /G & Profile T
- Provides standard SDK, easy to integrate with third platform
- Supports RS485 control and analog video output for easy debugging
- Outdoor type reaches IP67 protection, an inbuilt heater and air circulation system to avoid icing
- Rugged designed (IK10)
- Supports remote network upgrade

DESCRIPTION

VT230-A2 series is high-definition smart IP dome camera that supports 1920x1080@60fps HD network video output. It adopts H.265/H.264/M-JPEG encoding and its output provides excellent definition and color revivification degree which enables the acquisition of rich and accurate details so as to effectively guarantee smart analysis accuracy.

User-friendly GUI interface design allows users to perform dome PTZ control easily via network and to configure detailed camera parameters settings. At Web interface users can perform dome camera settings and operations by using a mouse which is more convenient than the traditional keyboard control. It also supports area zoom and image PTZ function.

VT230-A2 series dome cameras also feature general dome functions such as preset, pattern, autopan, autoscan, time tour and normal tour.

TECHNICAL SPECIFICATIONS

Lens (Visible)		Exposure	
Image Sensor	1/2.8" Sony progressive scanning CMOS	Auto/Manual/Shutter	
Optical Zoom	33X	Sensitivity	
Digital Zoom	12X	Color mode: 0.001 lux @ F1.6 (AGC ON)	
Focal Length	f=4.6~152mm	B/W mode: 0.0001 lux @ F1.6 (AGC ON)	
Iris	F1.6~F5.5	White Balance	
Focus	Auto/Manual	Auto/Manual/Outdoor	
FOV(H/V/D)	-	Video Adjustment	
Lens Mount	-	Brightness, contrast, saturation, chroma, sharpness	
Lens (Thermal)		Noise Reduction	
Imager Type	-	3D	
Lens Type	-	S/N Ratio	
Spectral Band	-	>62dB	
Pixel Size	-	Defog	
NETD	-	Available	
Focal Length	-	EIS	
FOV	-	Available	
Video		Mirror	
Camera Resolution (Visible Lens)	2MP	Horizontal, Vertical	
Camera Resolution (Thermal Lens)	-	Corridor Mode	
Max. Coding Capacity (Visible Lens)	Major stream: H.264/H.265- 60fps@1920x1080 Minor stream: H.264/H.265- 30fps@1920x1080 Third stream: M-JPEG- 5fps@1920x1080	-	
Max. Coding Capacity (Thermal Lens)	-	Day/Night Switching	
Data Rate	VBR/CBR Major stream: 256kbps~10240kbps	ICR	
Video Compression	H.265 /H.264/M-JPEG independent coding	AGC	
Multi-Streaming	Three-stream independent output	Available	
Video Rotation	Video can be rotated by 90°, 180°	BLC	
Audio		Available	
Audio Compression	G.711-A/ G.711-U/ G.726/ AAC	HLC	
Sample Rate	8KHz (for G.711-A/G.711-U/G.726), 16KHz, 32KHz, 44.1KHz or 48KHz (for AAC)	Available	
Audio Interface	1 input, linear level, impedance: 1kΩ 1 output, linear level, impedance: 600Ω	Privacy Mask	
Two-way Audio	Available	Up to 4 definable zones	
Mic & Speaker	-	ROI	
Image		Up to 8 definable zones	
Shutter	Auto/Manual (1/1~ 1/32000s)	OSD	
WDR	Up to 132dB	Supported	
		Pan/Tilt Functions	
		Preset	
		1024	
		Pattern	
		12	
		Autopan	
		12	
		Normal Tour	
		16 groups (each tour can link to 14 actions, optional with Presets 1~32, Patterns 1~4 and Autopans 1~4)	
		Home Return	
		Available	
		Timing Tour	
		Available	
		Autoscan	
		Available	
		Area Zoom	
		Available	
		IR Illumination	
		Smart-IR	
		-	
		Wave Length	
		-	
		Night Vision Distance	
		-	
		Temperature Measurement	
		Screening Function	
		-	
		Measurement	
		-	
		Measurement Distance	
		-	
		Measurement Range	
		-	
		Accuracy	
		-	

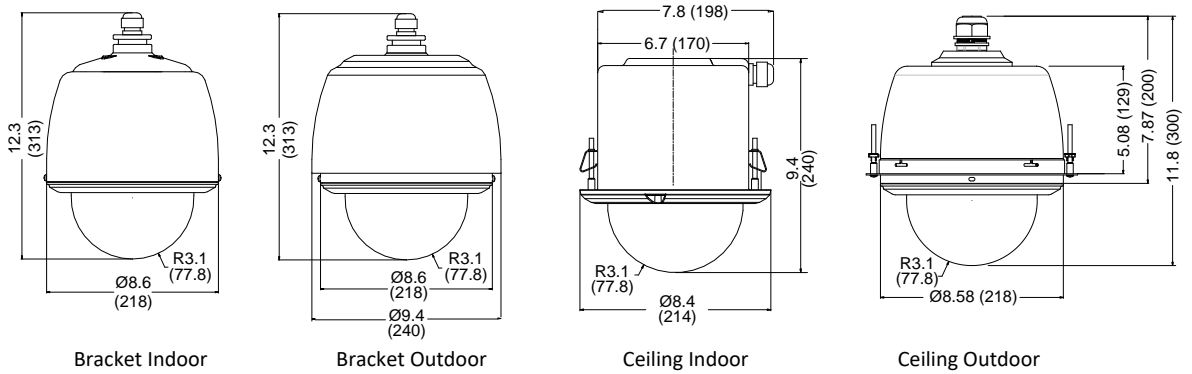
TECHNICAL SPECIFICATIONS

Smart Analytics		Operating Temperature	
Video Analytics	Motion detection- Up to 4 detection regions Smart Video Analysis- Wire cross, area intrusion Intelligent Tracking- Rule-triggered tracking and manual-triggered tracking	Temperature	-40°F ~ +158°C (-40°C ~ +70°C) (outdoor) -4°F ~ +140°C (-20°C ~ +60°C) (PoE+, outdoor)
Storage		Storage Temperature	-4°F ~ 158°F (-20°C ~ 70°C)
Storage Slots	Supports Single card	Operating Humidity	≤95% RH, Non condensing
Built-in Storage	Up to 512GB	Environmental Rating	IP67
NAS Storage	-	Impact Resistance	IK10
Local PC Recording	Available	Mechanical	
Alarm		Manual Speed	Pan: 0.01° ~ 800°/s; Tilt: 0.01° ~ 240°/s
Alarm Ports	2 alarm inputs, 1 on/off output	Preset Speed	Up to 500°/s
Alarm Input	I/O input, motion detection, intelligent analysis, SD card removal, network disconnection, heartbeat loss	Rotation Angle	Pan: 360°; Tilt: -5° ~ 90° (auto-flip)
Alarm Association	I/O output, email, FTP picture uploading, audio, SD card snapshot, SD card recording	Preset Accuracy	<±0.1°
System Functions		Electric Motor	Stepping motor
Operating System	Win 7 or above versions	Electrical	
Browser	IE8 or above versions	Power Supply	PoE+ (IEEE802.3at type2 Class4)/ 24VAC/ 24VDC
Access Protocol	ONVIF Profile S/G/T, CGI 2.7	Power Consumption	24VAC: 35W (outdoor) 24VDC: 33W (outdoor) PoE+: 25W (max.)
Multiple Access	Up to 5-ch simultaneous access	Physical	
Web Server	Available	Product Dimension (L×W×H) or (H x D)	Indoor bracket: 12.3"×Φ8.6" (313mm×Φ218mm) Indoor ceiling: 9.4" × Φ8.4" (240mm× Φ214mm) Outdoor bracket: 12.3"×Φ9.4"(313mm×Φ240mm) Outdoor ceiling: 11.8"×Φ8.6" (300mm×Φ218mm)
Remote Upgrade	Available	Package Dimension (L x W x H)	19.09" × 11.02" × 11.81" (485mm × 280mm × 300mm)
Password Protection	Available	Unit Weight	Indoor bracket: 8.38lbs. (3.8kg); Indoor ceiling: 6.79lbs. (3.08kg) Outdoor bracket: 9.44lbs. (4.28kg) Outdoor ceiling: 9.04lbs. (4.1kg)
RS485 Port	Supports, 1*RS485	Shipping Weight	Indoor bracket: 14.2lbs. (6.45kg); Indoor ceiling: 12.02lbs. (5.45kg) Outdoor bracket: 15.87lbs. (7.2kg) Outdoor ceiling: 15.04lbs. (6.82kg)
Analog Video Output	Supports, 1*BNC port	Certifications	
Maximum Number of Users	32, with 3 types of users available: administrator, normal user, and operator	Product Certifications	CE, FCC, RoHS, IP67, IK10, UL
Wiper	-		
Network			
Network Interface	1*RJ45 10/100M self-adaptive Ethernet port		
Network Protocols	IPv6, TCP, UDP, IGMP, DHCP, FTP, SNMP, SMTP, NTP, RTP, RTSP, RTCP, HTTP, HTTPS, TSL, SSL, QoS, PPPoE, DNS, DDNS, ARP, AES, DES, ICMP, UPnP, IP filter		
IP Address Filtering	Support blacklist and whitelist filtering		
Network Delay	<160ms		
Environmental			
Anti-Static	Air discharge 9KV, Contact protection 7KV		
Surge Protection	±6KV		

ORDERING INFORMATION

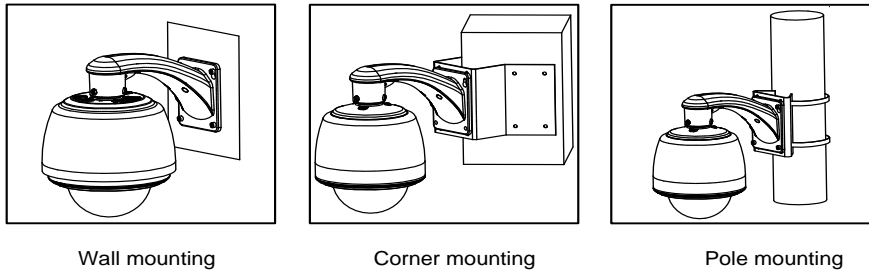
VT230-A233-B031	HD IP dome cameras, 2.0MP, 33X, 1/2.8" CMOS, day/night, H.265/H.264/MJPEG, with audio & alarm, indoor, ceiling mount, PoE+/24VDC/24VAC
VT230-A233-B041	HD IP dome cameras, 2.0MP, 33X, 1/2.8" CMOS, day/night, H.265/H.264/MJPEG, with audio & alarm, outdoor, ceiling mount, PoE+/24VDC/24VAC
VT230-A233-B051	HD IP dome cameras, 2.0MP, 33X, 1/2.8" CMOS, day/night, H.265/H.264/MJPEG, with audio & alarm, indoor, bracket mount, PoE+/24VDC/24VAC
VT230-A233-B061	HD IP dome cameras, 2.0MP, 33X, 1/2.8" CMOS, day/night, H.265/H.264/MJPEG, with audio & alarm, outdoor, bracket mount, PoE+/24VDC/24VAC
Accessories	
Mount	
V1761K	Wall Mount, bayonet, 10 inches
V1762K	Corner Mount, bayonet, 10 inches
V1763K	Pole-side Mount, bayonet, 10 inches
Power Supply	
N3922-75P-2	Smart POE Injector, 100VAC-240VAC input, 75W output

DIMENSIONS



(Unit: inch, in the parentheses is mm)

MOUNTING



Wall mounting

Corner mounting

Pole mounting