

# VT230-A2 Series

## 2.0 Megapixel Starlight WDR Intelligent IP Dome Camera

**Infinova**<sup>®</sup>  
The Integrator's Manufacturer



- Inbuilt 33X HD integrated camera module
- 1/2.8" large area progressive scanning CMOS sensor
- ICR infrared filter type automatic switch to realize true day/night surveillance
- Starlight-level ultra-low illumination: 0.0005 lux
- Supports multi-frame composite pattern wide dynamic and the maximum dynamic range is 132dB
- HD network video output: 1920x1080@60fps
- Features smart functions and achieves border protection (wire cross and intrusion supported)
- Supports intelligent tracking
- Three Simultaneous Video Streams: Dual H.265 & M-JPEG or Dual H.264 & Scalable M-JPEG
- Supports embedded storage/NAS storage
- Supports alarm recording and alarm snapshots
- Bi-directional audio, G.711a/G.711u/AAC standard optional
- 2 alarm inputs and 1 alarm output
- Supports motion detection, 4 detecting areas dividable
- Supports multiple alarm-triggered ways, such as IO input, network disconnected, motion detection, smart detection, heartbeat loss, etc.; supports flexible alarm associated configurations, such as I/O output, email, FTP picture-uploading, audio and TF card recording
- Supports Region of Interest (ROI) for which 8 regions can be divided
- Allows multiple users to perform live access and parameters settings via Web Server
- Supports preset, autopan, pattern, autoscan, time tour, normal tour, power-on return, etc.
- Compatible with Infinova digital video surveillance software and convenient to integrate with other video surveillance software
- Supports ONVIF Profile S & G standards

- Provides standard SDK, easy to integrate with other digital system
- Supports RS485 control and analog video output for easy debugging
- Outdoor type reaches IP67 protection rate, inbuilt a heater and air circulation system to avoid icing
- Rugged designed (IK10)
- Supports remote network upgrade
- Self-clean Bubble

VT230-A2 series is a high definition intelligent IP dome camera that supports 1920x1080@60fps HD network video output. It adopts H.265/H.264/M-JPEG encoding and its output provides excellent definition and color revivification degree which enables the acquisition of rich and accurate details so as to effectively guarantee smart analysis accuracy.

User-friendly GUI interface design allows users to perform dome PTZ control easily via network and to configure detailed camera parameters settings. At Web interface users can perform dome camera settings and operations by using a mouse which is more convenient than the traditional keyboard control. It also supports area zoom and image PTZ function.

VT230-A2 series dome cameras also feature general dome functions such as preset, pattern, autopan, autoscan, time tour and normal tour.

## Technical specifications

Lens	
Optical Zoom	33X
Image Sensor	1/2.8" Sony progressive scanning CMOS sensor
Aperture/Focal Length	F1.6~F5.5, f=4.6~152mm
Angle of View	62.1° (Wide) ~ 2.18° (Tele)
Min. Work Distance	1.0m (Wide) ~ 1.5m (Tele)
Focus control	Auto, Manual
Iris control	Auto, Manual
Shutter	Auto, Manual (adjustment range: 1/1-1/32000s)
DSS	Available
Day/Night Switch	ICR
Sensitivity	Color Mode: 0.005 lux @ F1.6 (AGC ON) B/W Mode: 0.0005 lux @ F1.6 (AGC ON)
Video	
Compression	H.265 /H.264 switchable M-JPEG independent encoding
Encoding Capability	1080P@60fps
Audio	
Compression	G.711a/G.711u/AAC
Port	1 input, linear level, impedance: 1kΩ 1 output, linear level, impedance: 600Ω
Sampling rate	8KHz, 16KHz, 32KHz, 44.1KHz, 48KHz
Camera	
White Balance	Auto/Manual/Outdoor
WDR	Supports multi-frame composite pattern wide dynamic with a range up to 132dB
Video Adjustment	Brightness, contrast, saturation, chroma, sharpness
S/N Ratio	>55dB
Noise Reduction	3D
Defog	Available
EIS/BLC/HLC	Available
Mirror	Horizontal, vertical
Privacy Mask	Up to 6 privacy areas
ROI	Up to 8 regions
Smart Video Analysis	Wire cross, area intrusion
Intelligent Tracking	Rule-Triggered and Manual Triggered Tracking
Storage	
Inbuilt	Supports a Micro SD/SDHC/SDXC card (128GB)
Alarm	
Port	2 alarm inputs, 1 switching value output
Input	I/O input, network disconnecting, motion detection, video tampering, smart alarm, storage card out, heartbeat loss
Link	I/O output, email, FTP picture uploading, audio, TF card recording
PTZ Functions	
Preset	512
Pattern	12
Autopan	12
Normal Tour	16 groups (each tour can link to 14 acts for which you can select among Presets 1~32, Patterns 1~4 and Autopans 1~4)
Home Return	Available
Timing Tour	Available
Autoscan	Available
Area Zoom	Available

System Functions	
Operating System	Supports Win XP, Win7, Win8, Win10
Browser	IE7, IE8, IE9, IE10, IE11
Access Protocol	ONVIF Profile S Profile G; CGI
Web Server	Available
Remote Network Upgrade	Available
Security	Password Protection, IP Address Filtering
RS485 Port	Supports 1*RS485
Analog Video Output	Supports 1*BNC port
IP	
Port	1*RJ45 10/100M self-adaptive Ethernet port
Protocol	IPv6, TCP, UDP, IGMP, DHCP, FTP, SNMP (V3), SMTP, NTP, RTP, RTSP, RTCP, HTTP, HTTPS, TSL, SSL, QoS, PPPoE, DNS, DDNS, ARP, ICMP, UPnP, IP filter
Mechanical	
Manual Horizontal Speed	0.1° ~ 800°/s
Manual Vertical Speed	0.1° ~ 300°/s
Preset Pan/Tilt Speed	Up to 500°/s
Horizontal Scan Angle	360° continuous scanning
Vertical Scan Angle	-3° ~ 90° (auto flipping)
Preset Accuracy	±0.1°
Electrical	
Electric Motor	Stepping motor
Power Supply	PoE+ (IEEE802.3at type2 Class4)/ 24VAC(±35%)/24VDC (±30%) self-adaptive
Power	24VAC: 35W (outdoor) 24VDC: 33W (outdoor) PoE+ : 25W (max.)
Reliability	
Anti-Static	Contact protection 7KV, Air discharge 9KV
Surge Protection	6KV
Rating	IP67
Impact Resistance	IK10
Environmental	
Operating Temperature	-20°C ~ +60°C (PoE+, outdoor) -40°C ~ +70°C (Non-PoE+, outdoor)
Operating Humidity	0 ~ 95%RH (non-condensing)
Storage Temperature	-40°C ~ +70°C
Physical	
Self-Cleaning Coating bubble	Available
Mounting	Bracket mount, ceiling mount
Product Dimension (H x D)	Indoor bracket: 12.3"× Φ8.6" (313mm×Φ218mm); Indoor ceiling: 9.4"× Φ8.4" (240mm×Φ214mm); Outdoor bracket: 12.3"× Φ9.4" (313mm×Φ240mm)
Package Dimension (L x W x H)	19.09" × 11.02" × 11.81" (485mm × 280mm × 300mm)
Certifications and Approvals	
Product Certifications	CE <sup>1</sup> : EN 55022, EN 55024, EN 61000-3-2, EN 61000-3-3; FCC <sup>2</sup> : FCC PART 15 Subpart B Class A; UL <sup>3</sup>
Certificate No: <sup>1</sup> CTL1611288402-EC, <sup>2</sup> CTL1611288402-FC, <sup>3</sup> E232008	

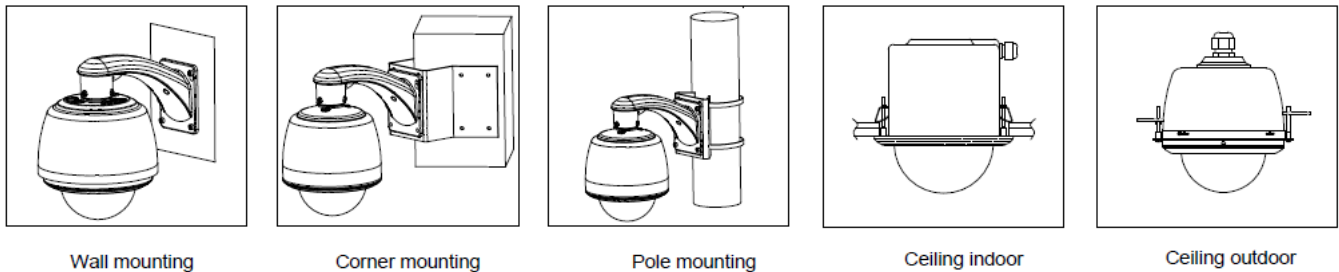
## Ordering information

VT230-A233-B031	HD IP dome cameras, 2.0M, 33X, 1/2.8" CMOS, day/night, H.265/H.264/MJPEG, w/ audio & alarm, indoor, ceiling mount, PoE+/24VDC/24VAC
VT230-A233-B041	HD IP dome cameras, 2.0M, 33X, 1/2.8" CMOS, day/night, H.265/H.264/MJPEG, w/ audio & alarm, outdoor, ceiling mount, PoE+/24VDC/24VAC
VT230-A233-B051	HD IP dome cameras, 2.0M, 33X, 1/2.8" CMOS, day/night, H.265/H.264/MJPEG, w/ audio & alarm, indoor, bracket mount, PoE+/24VDC/24VAC
VT230-A233-B061	HD IP dome cameras, 2.0M, 33X, 1/2.8" CMOS, day/night, H.265/H.264/MJPEG, w/ audio & alarm, outdoor, bracket mount, PoE+/24VDC/24VAC

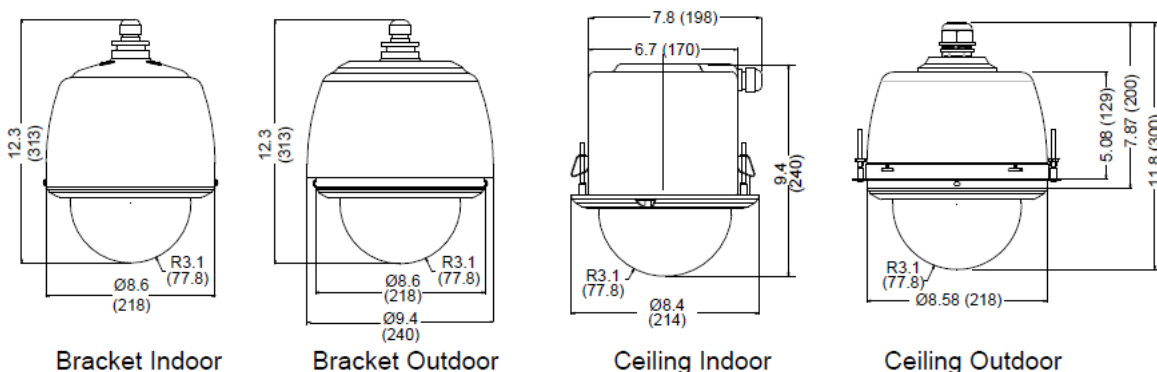
### Accessories

V1761K	Wall Mount, bayonet, 10 inches
V1762K	Corner Mount, bayonet, 10 inches
V1763K	Pole-side Mount, bayonet, 10 inches
V1761	Wall Mount, 10 inch horizontal, 1.5 inch NPT
V1761L	Wall Mount, 17 inch horizontal, 1.5 inch NPT
V1762	Corner Mount, 10 inch horizontal, 1.5 inch NPT
V1763	Pole Mount, 10 inch horizontal, 1.5 inch NPT
V1764	Pendent Mount, 15 inch long vertical, 1.5 inch NPT, indoor
V1764A	Pendent Mount, 15 inch long vertical, 1.5 inch NPT, Outdoor side opening for wiring
V1764B	Pendent Mount, 15 inch long vertical, 1.5 inch NPT, Outdoor top opening for wiring
V1765	Parapet Mount, 12 inch horizontal, vertical attachment, 1.5 inch NPT
V1765A	Parapet Mount, V1765 horizontal attachment adapter
LAS60-57CN-RJ45-F	PoE power sourcing equipment, 100-240VAC inputs, 60W output

## Mounting



## Dimensions



(Unit: inch, in the parentheses is mm)