

# V1573-A Series Housing Mounts

**Infinova**<sup>®</sup>  
The Integrator's Manufacturer



- **For indoor/outdoor installations**
- **Die-cast aluminum**
- **Easy installation and maintenance**

V1573-A has a large load capacity. Made of die-cast aluminum, coated with powder for ultraviolet protection, it is easy to install and adjust. Working with the camera housing, it helps hide the cables to prevent malicious destruction.

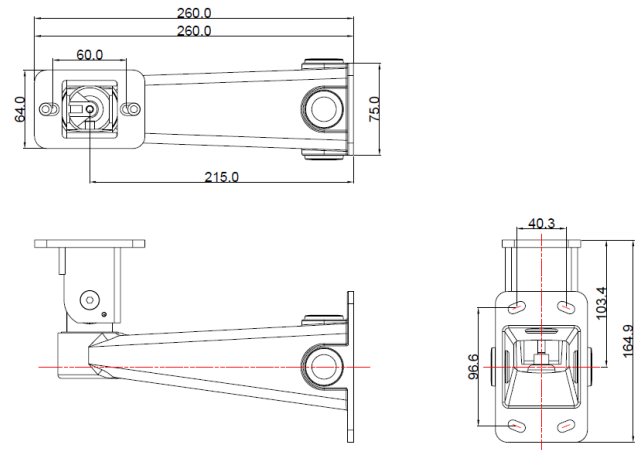
## Technical specifications

Model	V1573-A
Application Environment	Indoor/Outdoor
Weight	1.70 lbs. (0.77kg)
Loading	88.19 lbs. (40kg)
Construction	Aluminum, silicone

## Ordering information

V1573-A      Wall Mount, H/V adjustable for housing, 88.19 lbs. (40 kg) load

## Dimensions



(Unit: mm)