

V1760 Series

Indoor/Outdoor Dome Mounts

Infinova[®]
The Integrator's Manufacturer



- **Diversified mounts**
- **Easy installation and wiring**

Ordering information

V1764 Pendant Mount, 15 inch long vertical, NPT 1 1/2"
V1764A Pendant Mount, 15 inch long vertical, NPT 1 1/2", outdoor, side opening for wiring
V1764B Pendant Mount, 15 inch long vertical, NPT 1 1/2", outdoor, top opening for wiring
V1765 Parapet Mount, 12 inch horizontal, vertical attachment, NPT 1 1/2"
V1765A Parapet Mount, V1765 horizontal attachment adapter
V1766 Indoor Drop Ceiling Panel, 2 feet x 2 feet, pre-cut
V1760D Desktop Demo Stand, 1.5 inch NPT

V1761MS Wall Mount, 6 inch horizontal
V1762MS Corner Mount, 6 inch horizontal
V1763MS Pole Mount, 6 inch horizontal

V1761MS-W Wall mount, 6 inch horizontal, high gloss white
V1762MS-W Corner mount, 6 inch horizontal, high gloss white

V1763MS-W Pole mount, 6 inch horizontal, high gloss white
V1761MT-W1 Wall Mount, 6 inch horizontal, high gloss white, NPT 1 1/2"
V1762MT-W1 Corner Mount, 6 inch horizontal, high gloss white, NPT 1 1/2"
V1763MT-W1 Pole Mount, 6 inch horizontal, high gloss white, NPT 1 1/2"
V1761MT-W2 Wall Mount, 6 inch horizontal, semi gloss white, NPT 1 1/2"
V1762MT-W2 Corner Mount, 6 inch horizontal, semi gloss white, NPT 1 1/2"
V1763MT-W2 Pole Mount, 6 inch horizontal, semi gloss white, NPT 1 1/2"

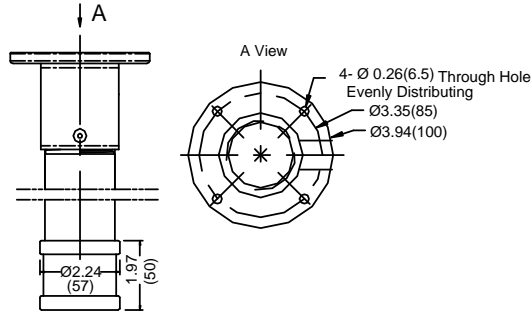
V1761K Wall Mount (for bayonet type series speed domes)
V1762K Corner Mount (for bayonet type series speed domes)
V1763K Pole Mount (for bayonet type series speed domes)

Dimensions

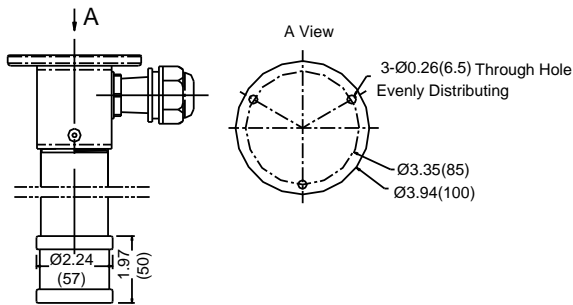
The mounts below are the aluminous brackets used to steadily mount Infinova's analog super domes, and IP domes.

Unit: inch, in the parentheses is mm

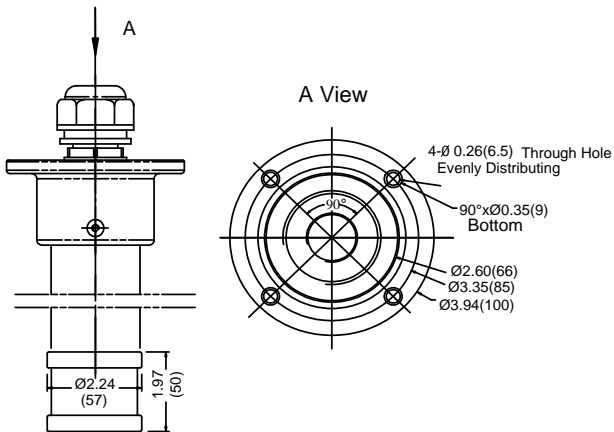
1. The diagrams below show the V1764 installation dimensions for pendant mount domes.



V1764 Indoor Pendant Mount

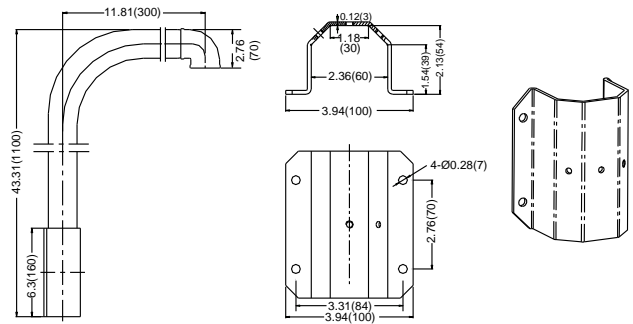


V1764A Outdoor Pendant Mount (side opening)



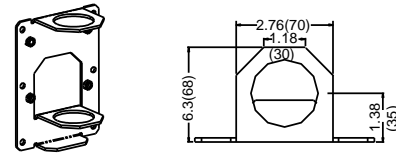
V1764B Outdoor Pendant Mount (top opening)

2. The diagrams below show the V1765 installation dimensions for parapet mount domes combined with the arm brackets.

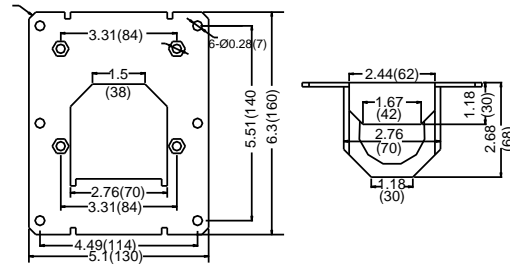


Bracket Dimensions

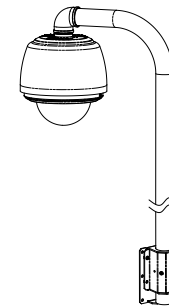
Fastening Bracket dimensions



Pedestal Bracket Dimensions

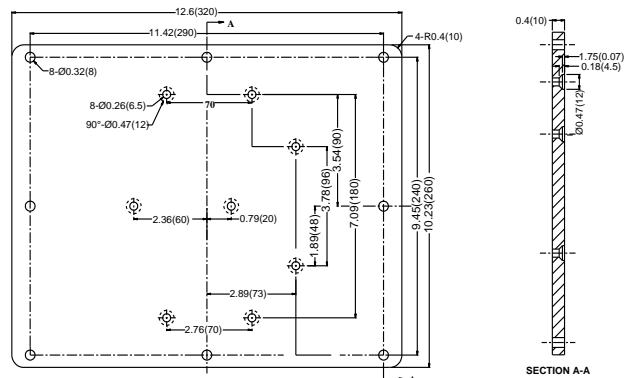


Pedestal Bracket Dimensions

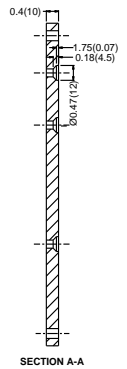


Over-roof sidewall Mounting

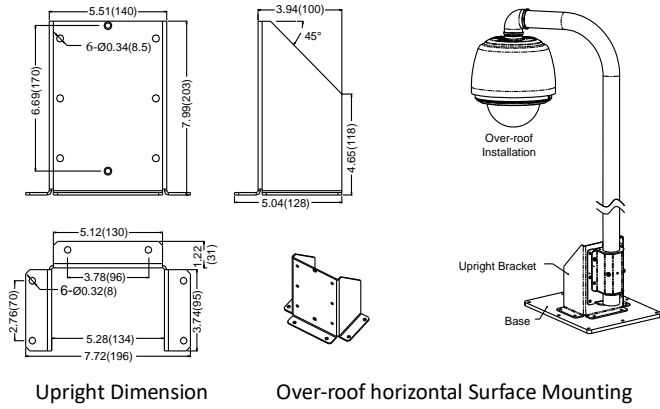
The V1765 works with the V1765A parapet horizontal attachment adapter to create over-roof horizontal surface mounting. The accessories include an upright bracket and base.



Base Dimension

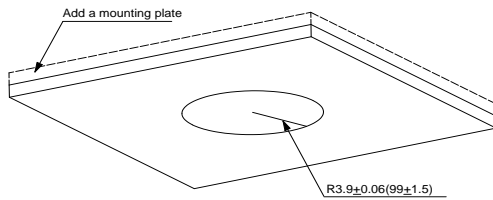


SECTION A-A



Upright Dimension Over-roof horizontal Surface Mounting

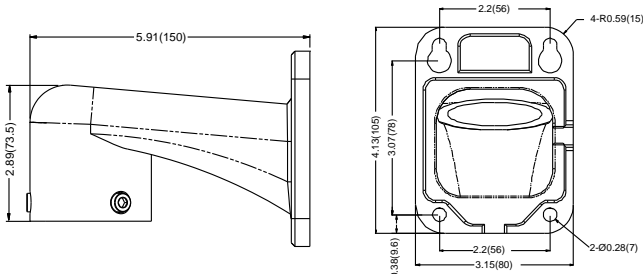
3. The diagrams below show the V1766 installation dimensions for ceiling mount domes.



Indoor Drop Ceiling Panel

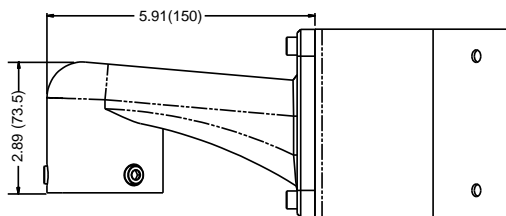
The mounts below are the aluminous brackets used to steadily mount Infinova's V1731A and V1731N-M mini PTZ domes and Infinova's fixed minidome cameras with a bayonet coupling.

1. The diagrams below show the V1761MS and V1761MS-W installation dimension for wall mount domes combined with the arm brackets.

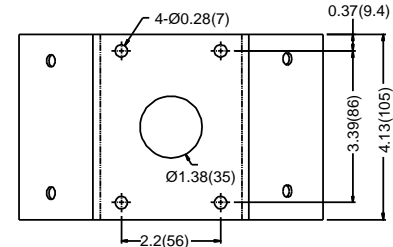
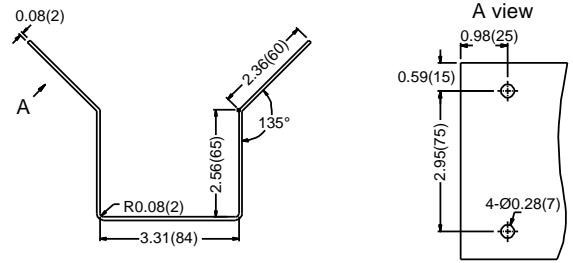


Wall Mount

2. The diagrams below show the V1762MS and V1762MS-W installation dimensions for corner mounting combined with arm brackets.

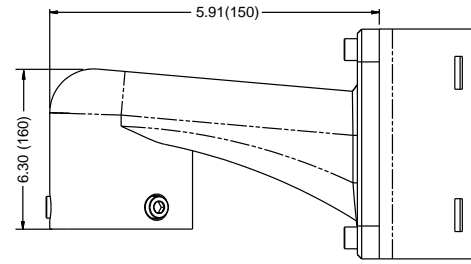


Corner Mount

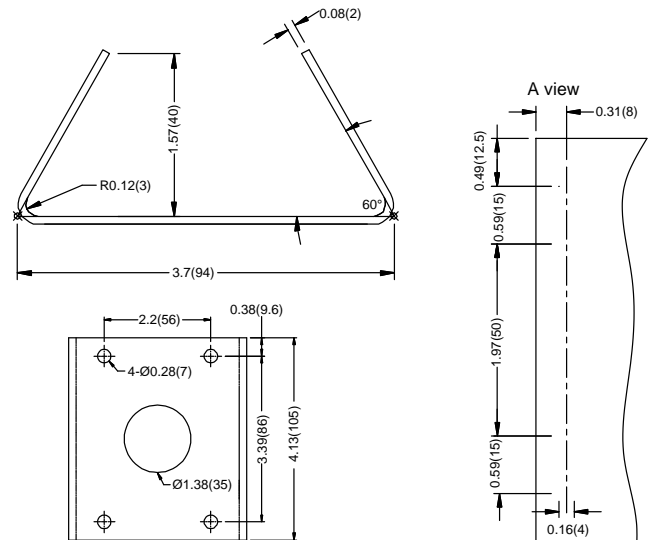


Installing Bracket Base

3. The diagrams below show the V1763MS and V1763MS-W installation dimensions for pole mounting combined with arm brackets.



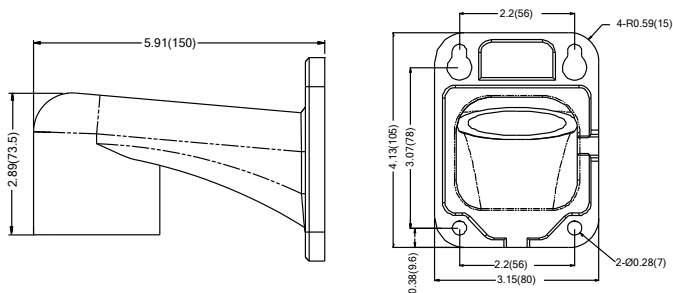
Pole Mount



Installing Bracket Base

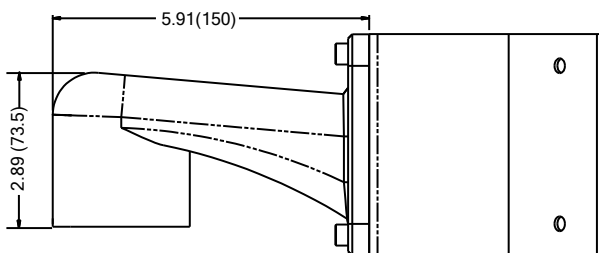
The mounts below are the aluminous brackets used to steadily mount Infinova's fixed minidome cameras with a thread coupling.

1. The diagrams below show the V1761MT-W1 and V1761MT-W2 installation dimension for wall mount domes combined with the arm brackets.

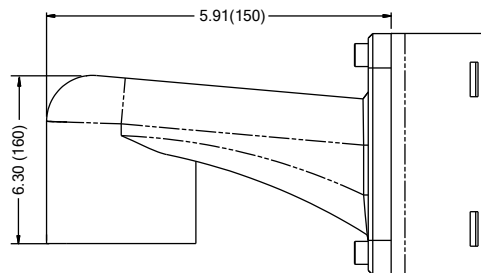


Wall Mount

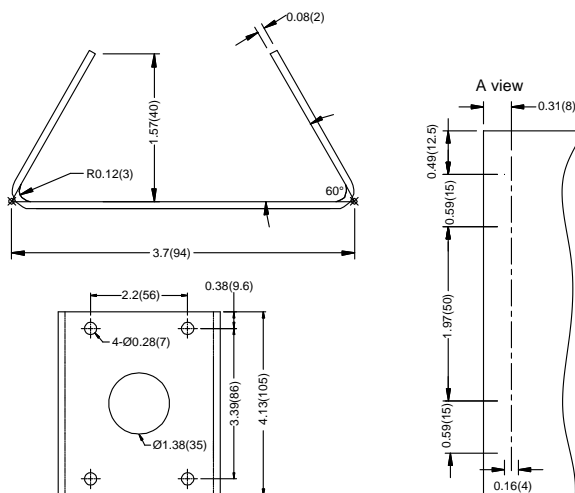
2. The diagrams below show the V1762MT-W1 and V1762MT-W2 installation dimensions for corner mounting combined with arm brackets.



Corner Mount



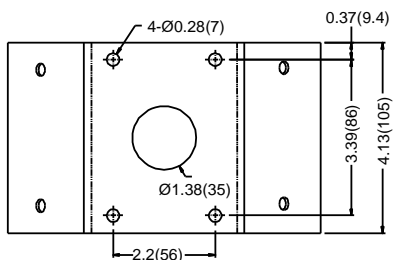
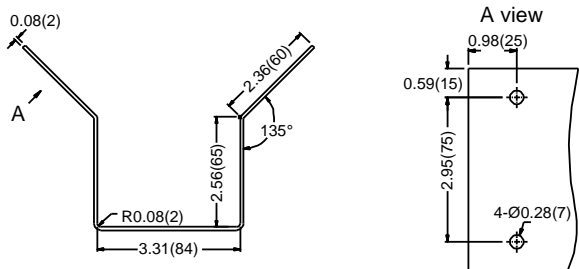
Pole Mount



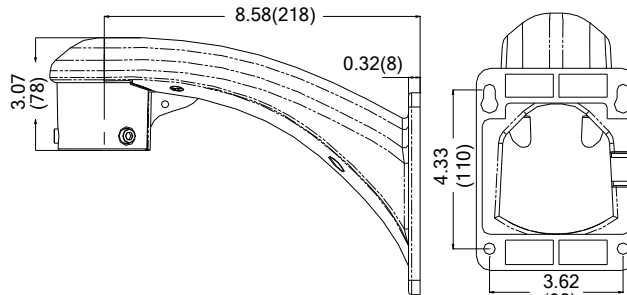
Installing Bracket Base

The mounts below are the aluminous brackets used to steadily mount Infinova's V1700N and V1700A E2 230VAC Series PTZ domes with a bayonet coupling.

1. V1761K series wall mount:



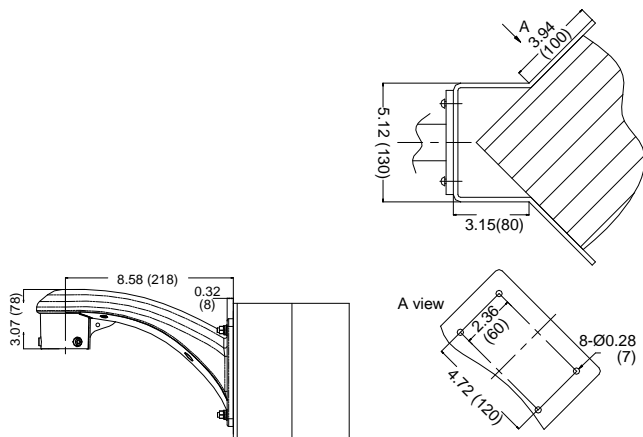
Installing Bracket Base



V1761K Wall Mount

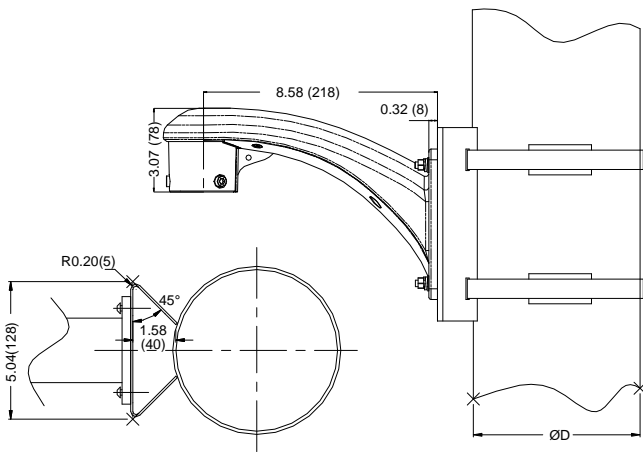
3. The diagrams below show the V1763MT-W1 and V1763MT-W2 installation dimensions for pole mounting combined with arm brackets.

2. V1762K series corner mount:



V1762K Corner Mount

3. V1763K series pole mount:



V1763K Pole Mount

Note: Refer to the corresponding installation manuals for detailed installation dimensions and procedures.

Package dimensions

Model	Package Dimension (L × W × H)
1761K/V1763K	12.6" × 9.25" × 5.9" (320mm × 235mm × 150mm)
V1764/V1764A/V1764B	13.78" × 10.04" × 4.13" (350mm × 255mm × 105mm)
V1765	46.85" × 16.14" × 4.72" (1190mm × 410mm × 120mm)
V1761MS/V1762MS/V1763MS	9.84" × 8.27" × 6.3" (250mm × 210mm × 160mm)