

# VP160-A244-M5/6 Series Explosion-proof IR PTZ Camera

**Infinova**<sup>®</sup>



- 2-Megapixel 1/2" Progressive Scan CMOS, maximum resolution up to 1920 × 1080, clear and delicate images
- 30X optical zoom, fast and accurate focusing
- Support ultra-low illumination, 0.0004 lux @ F1.6 (AGC ON) color, 0.0001 lux @ F1.6 (AGC ON), black and white
- Support wide dynamic, 3D digital noise reduction, strong light suppression and other functions
- Support H.265/H.264 efficient compression algorithm, greatly reducing the bit rate
- Full-featured: heartbeat, PTZ control, alarm, audio, user management
- Intelligent wiper function, the wiper adopts automobile wiper blade, which has good weather resistance and easy replacement.
- Heater and Blower Available
- IR-Cut Removable (ICR) Filter for Day/Night switching
- High-efficiency infrared/white light array lamp, low thermal energy, low power consumption, infrared distance up to 200 meters
- 360° continuous rotation in the horizontal direction, -90° to +90° in the vertical direction, no monitoring blind zone
- Self-contained junction box with 100M optical interface for easy installation
- Surge protection Available.

## Product Description

VP160-A244-M series HD 2MP explosion-proof integrated IP PTZ camera is fully-developed and specially designed for use in flammable and explosive hazardous areas that has iia, iib, iic flammable gas, and the ignition temperature group is zone 1 and zone 2 of the t1-t6 group. The flammable gas or the explosive mixture formed by steam and air is also applicable to the ignition temperature group. It is a place containing a combustible dust mixture in Zones 20, 21, and 22 of the t1-t6 group. Such as: petroleum, chemical, mine, military, medicine, oil depot, ship, drilling platform, gas station, fireworks production, grain processing and storage.

The system uses 316L stainless steel to ensure its good explosion-proof performance in hazardous areas. It has an absolute operating temperature range of -4°F~140°F (-20°C~60°C). This camera is properly sealed to prevent the intake of flammable dust and ensure strong corrosion-resistant capabilities.

The user-friendly GUI interface is designed for easy PTZ control and convenient camera parameter settings. In addition, area zoom and image PTZ are also offered. The intelligent motion detection and multiple alarm responses make it even safer to use.

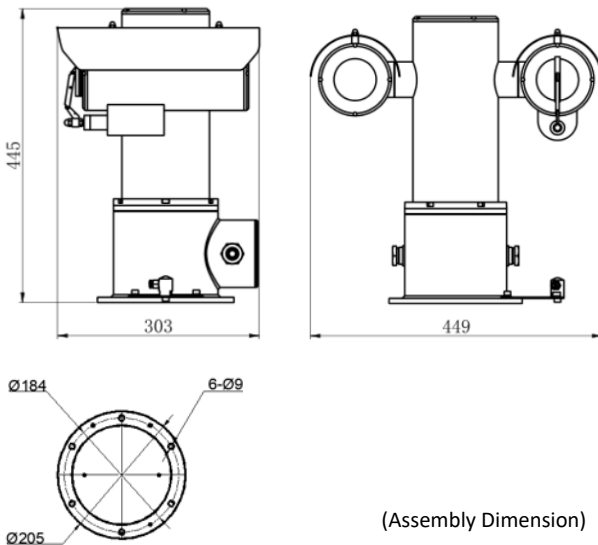
## Technical Specifications

### Camera

Image Sensor	1/2.8" Progressive Scan CMOS
Signal System	PAL/NTSC
Minimum Illumination	Color: 0.0004 lux @ F1.6 (AGC ON); B/W: 0.0001 lux @ F1.6 (AGC ON)
Day/Night Functionality	ICR
Scanning System	Progressive Scan
Shutter	1/1s~1/32000s
Day/Night Switch	ICR
WDR	Support multi-frame composite pattern wide dynamic with a range up to 120dB
OSD	Customized OSD with custom effects for multiple content styles
Motion Detection	Support
Privacy Mask	Support
Statistical Analysis	Traffic Statistics
Smart Video Analytics	Video anomaly detection: camera tampering, high brightness, low brightness, video loss and color cast; Behavior-analysis detection: motion detection, wire crossing detection, intrusion detection, loitering detection, object abandoned detection, object lost detection, abnormal sound detection, crowd detection, fast moving detection, and fighting detection; Statistics detection: crowd density detection; Feature detection: face detection, vehicle detection, and human body detection Support deep-learning based face detection, tracking and capturing; support face snapshot optimization and duplicate deletion; Support image matting to provide small face image or large panoramic images to be uploaded to the platform for secondary analysis and retrieval; Support intelligent exposure on faces; Supports intelligent tracking
<b>Lens</b>	
Optical Zoom	30X
Aperture/Focal Length	F1.6 ~ F4.8, f=6 ~ 180mm
<b>Menu Control</b>	
Exposure Mode	Auto/Manual

Focus Mode	Auto/Manual/Semi-Auto/One Button Focus
<b>Video/Audio</b>	
Video Compression Standard	H.265/H.264/MJPEG
Encoding Capability	H.264/H.265-60fps@1920x1080 + H.264/H.265-30fps@1920x1080 + MJPEG-30fps@1920x1080 +H264/H265-30fps@720x480
Audio Compression Standard	8KHz (for G.711-A/G.711-U) 16KHz, 32KHz, 44.1KHz or 48KHz (for AAC)
<b>Network Features</b>	
Supporting Protocol	IPv6, TCP, UDP, IGMP, DHCP, FTP, SNMP (V3), SMTP, NTP, RTP, RTSP, RTCP, HTTP, HTTPS, TSL, SSL, QoS, PPPoE, DNS, DDNS, ARP, ICMP, UPnP
<b>Interface</b>	
Audio Port	1 Input, 1 Output
Ethernet Port	1 RJ45 10m/100m self-adaptive Ethernet port
Alarm Port	1 Alarm input, 1 Alarm output
SD Card Interface	Built-in Micro SD card slot, support Micro SD / SDHC interface (up to 256G)
RS485 Interface	Adopt half-duplex mode, support adaptive Pelco-P and Pelco-D
<b>General Specification</b>	
Infrared Distance	200m
Integration features	ONVIF Profile S, G and Q third-party platform access (need to customize)
Rotation Angel	Horizontal: 0°-360° Vertical: -90°-+90°
Pan/ Tilt Speed	0.1°- 40°/s
Protection Level	IP68
Temperature Range	-20°C ~ 60°C
Relative Humidity	0 -- 95%
Product Material	316L Stainless steel
Power Supply	AC 85V ~ 260V or DC24V 3A
Dimensions	449*303*445mm (length * width * height)
Inlet Hole Specification	1 Entry hole G3/4"
Installation Method	Wall or column platform installation
Weight	≤ 26Kg
<b>Product Certifications and Approval</b>	
Product Certifications	CE, FCC, IECEX

## Dimensions



Unit: mm

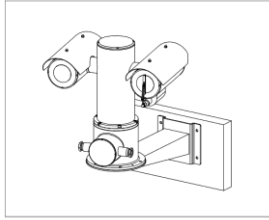
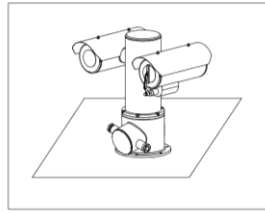
## Ordering Information

VP160-A244-M6	HD Smart Laser Explosion-proof Integrated IP PTZ Camera System, 2.0MP, 30X, 1/2" CMOS self-developed module, H.265/H.264/MJPEG, AC85V-260V, w/optical port, AISI 316L stainless steel
VP160-A244-M5	HD Smart Laser Explosion-proof Integrated IP PTZ Camera System, 2.0MP, 30X, 1/2" CMOS self-developed module, H.265/H.264/MJPEG, AC85V-260V, AISI 316L stainless steel

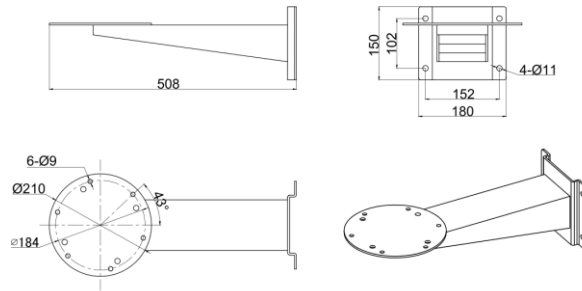
# Mounting

## Recommended Mounts:

V1571-20L-W 316L stainless steel, Wall mount, weight 5Kg



# Mounts Dimensions



Unit: mm