

VT231-A222-A Series

2.0 Megapixel Starlight WDR Intelligent IR IP Dome Camera

Infinova[®]
The Integrator's Manufacturer



- Inbuilt 22X HD integrated camera module
- 1/1.9" large area progressive scanning CMOS sensor
- ICR infrared filter type automatic switch to realize true day/night surveillance
- Starlight - level ultra - low illumination: 0.0001 lux
- Supports multi - frame composite pattern wide dynamic and the maximum dynamic range is 120dB
- Inbuilt efficient infrared lamps, wave length 850nm, ensure stable long - term use and reduce maintenance cost
- Night vision distance up to 150m
- The ways of turning on the infrared lamps can be flexible to meet diversified surveillance environment demands
- The infrared power is adjusted automatically based on dome drive zooming or manually to optimize the night vision fill - in light effects
- HD network video output: 1920×1080@30fps
- Features smart functions to achieve border protection (wire cross, intrusion)
- H.265+M-JPEG or H.264+M-JPEG video encoding, three streams
- Supports embedded storage/NAS storage
- Supports alarm recording and alarm snapshots
- Bi - directional audio, G.711-A/G.711-U/AAC standard optional
- Two alarm inputs and one alarm output
- Supports motion detection, 4 detecting areas dividable
- Supports multiple alarm-triggered ways, such as IO input, network disconnected, motion detection, smart detection, heartbeat loss, etc.;
- supports flexible alarm associated configurations, such as I/O output, email, FTP picture-uploading, audio and TF card recording
- Supports Local Recording
- Supports Region of Interest (ROI), 8 regions dividable
- Allows multiple users to perform live access and parameters settings via Web Server
- Supports preset, autopan, pattern, autoscan, time tour, normal tour, power - on return, etc.
- Compatible with Infinova digital video surveillance software and convenient to integrate with other video surveillance software
- Supports ONVIF Profile S & G standards
- Standard SDK, easy to integrate with other digital system
- Supports RS485 control and analog video output for easy debugging

- Supports Auto-Flip
- Outdoor type reaches IP66 protection rate, inbuilt a heater and air circulation system to avoid icing
- Supports remote network upgrade

VT231-A222-A series is our newly introduced high definition infrared network dome camera that supports 1920×1080@60fps HD network video output. It adopts H.265/H.264/M - JPEG encoding and its output provides excellent definition and color revivification degree which enables the acquisition of rich and accurate details so as to effectively guarantee smart analysis accuracy.

This product adopts large power LED infrared lamps, infrared wave length 850nm, long night vision distance up to 150m, strong illumination. The IR lamps can turn on or off automatically based on environmental lighting conditions or can be adjusted manually. The IR illumination allows flexible adjustment so as to reduce IR lamp calorific value and extend its service life.

User - friendly GUI interface design allows users to perform dome PTZ control easily via network and to configure detailed camera parameters settings. At Web interface users can perform dome camera settings and operations by using a mouse which is more convenient than the traditional keyboard control. It also supports area zoom and image PTZ function.

VT231-A222-A series dome cameras also feature general dome functions such as preset, pattern, autopan, autoscan, time tour and normal tour.

Technical specifications

Lens		Pattern	12
Optical Zoom	22X	Autopan	12
Digital Zoom	16X	Normal Tour	16 groups (each tour can link to 14 acts for which you can select among Presets 1~32, Patterns 1~4 and Autopans 1~4)
Image Sensor	1/1.9" Sony progressive scanning CMOS sensor	Home Return	Available
Aperture/Focal Length	F1.5~F3.4, f=5.11~112.42mm	Timing Tour	Available
Angle of View	70° (Wide) ~ 3.76° (Tele)	Autoscan	Available
Min. Work Distance	0.3m (Wide) ~ 1.9m (Tele)	Motion Detection	4 areas
Shutter	Auto, Manual (PAL: 1/25-1/32000; NTSC: 1/30-1/32000s)	Area Zoom	Available
DSS	Available	System Functions	
Day/Night Switch	ICR- Automatic removable IR cut filter	Operating System	Supports Windows XP, Windows Vista, Win7, or Win8 operating system
Sensitivity	Color mode: 0.001 lux @ F1.5 (AGC ON); B/W mode: 0.0001 lux @ F1.5 (AGC ON) 0 lux (IR ON)	Browser	IE7, IE8, IE9, IE10, IE11
Video		Access Protocol	ONVIF2.4, CGI
Compression	H.265 /H.264 switchable M-JPEG independent encoding	Web Server	Available
Encoding Capability	1080P@30fps+720P@30fps+MJPEG1080P@5fps	Remote Network Upgrade	Available
Audio		Security	Password Protection
Compression	G.711-A/G.711-U/AAC	RS485 Port	Supports 1*RS485
Sampling rate	8KHz (for G.711-A/G.711-U) 16KHz, 32KHz, 44KHz or 48KHz (for AAC)	Analog Video Output	Supports 1*BNC port
Port	1 input, linear level, impedance: 1kΩ 1 output, linear level, impedance: 600Ω	IP	
Camera		Port	1*RJ45 10/100M self-adaptive Ethernet port
White Balance	Auto/Manual/Outdoor	Protocol	IPv6, TCP, UDP, IGMP, DHCP, FTP, SNMP (V3), SMTP, NTP, RTP, RTSP, RTCP, HTTP, HTTPS, TSL, SSL, QoS, PPPoE, IEEE 802.1X, DNS, DDNS, ARP, ICMP, UPnP
WDR	Supports multi-frame composite pattern wide dynamic with a range up to 120dB	Mechanical	
Video Adjustment	Brightness, contrast, saturation, chroma, sharpness, BLC, Exposure Control, AGC, White Balance, Hue, HLC	Manual Horizontal Speed	0.1° ~ 180°/s
S/N Ratio	> 55dB	Manual Vertical Speed	0.1° ~ 140°/s
Noise Reduction	3D	Preset Speed	Up to 245°/s
Defog	Available	Horizontal Scan Angle	360° continuous scanning
Stabilization	Available	Vertical Scan Angle	-4° ~ 90°
Mirror	Horizontal, vertical	Preset Accuracy	<0.1°
Backlight Compensation	Available	Electric Motor	Stepping motor
Light Restrain	Available	Electrical	
Privacy Mask	Up to 4 privacy areas	Power Supply	24VAC/24VDC self-adaptive <17W (idle state)
ROI	Up to 8 regions	Power	<63W (max., heater on, IR lamp manually adjusted to maximum)
Smart Video Analysis	Wire cross, area intrusion	Reliability	
Timing Function	Timing snapshot, timing recording	Anti-Static	±8KV
Storage		Surge Protection	±4KV
Inbuilt	Supports dual Micro SD/SDHC/SDXC card slot (max. 256GB); able to store snapshots and recordings (supports alarm recording/snapshot)	Environmental	
Alarm		Operating Temperature	-40°F ~ +140°F (-40°C ~ +60°C)
Port	2 alarm inputs, 1 switching value output	Operating Humidity	0 ~ 95%RH (non-condensing)
Input	I/O input, network disconnecting, motion detection, video tampering, smart alarm, storage card out, heartbeat loss	Mounting	Wall, pole and corner mount
Link	I/O output, email, FTP picture uploading, audio, TF card recording	Physical	
IR Lamp		Product Dimension (H x D)	H14.56" x Φ9.04" (H370mm x Φ229.6mm)
Wave Length	850nm	Package Dimension (L x W x H)	19.09"×11.02"×11.81" (485mm×280mm×300mm)
Night Vision Distance	150m	Product Net Weight	12.79 lbs (5.8kg)
Pan/Tilt Functions		Shipping Weight	16.76 lbs (7.6kg)
Presets	1024	Certifications and Approval	
		Product Certifications	CE ¹ , FCC ² , IP66 ³ , IK10 ⁴ , ONVIF Profile S & G
		Certificate No.: ¹ RSZ151218006-01; ² RSZ151218006-00; ³ TRS16060020; ⁴ EM160622016RE001	

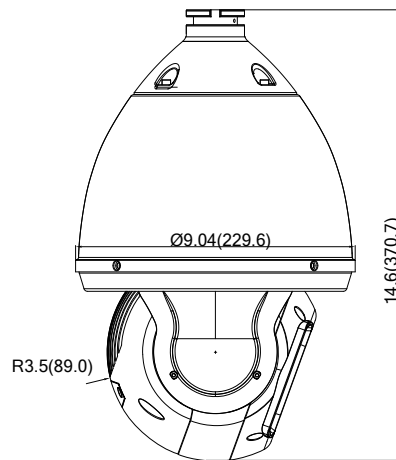
Ordering information

VT231-A222-A361 HD IR IP dome cameras, 2.0M, 22X, 1/1.9" CMOS, day/night, H.265/H.264/MJPEG, with audio alarm, outdoor, bracket mount, 24VDC/24VAC

Accessories

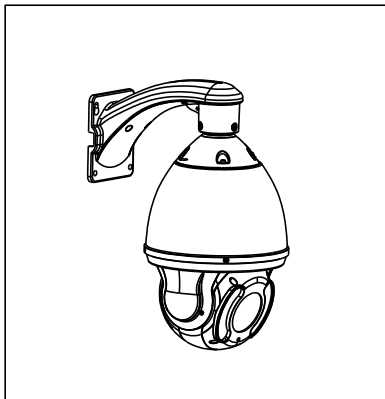
V1761K Wall Mount, bayonet, 10 inches
V1762K Corner Mount, bayonet, 10 inches
V1763K Pole-side Mount, bayonet, 10 inches

Dimensions

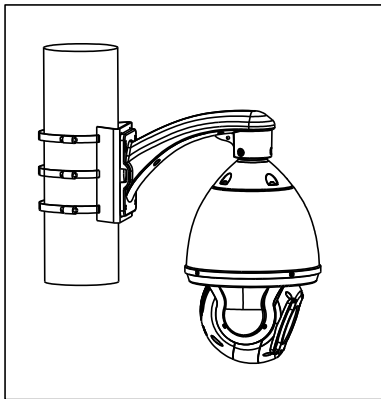


(Unit: inch, in the parentheses is mm)

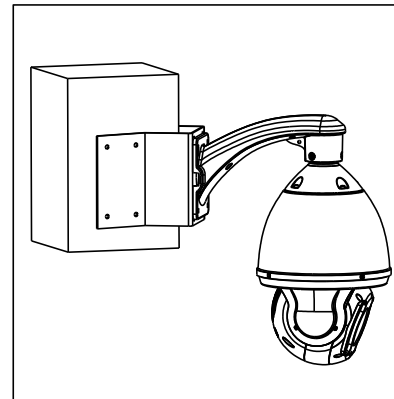
Mounting



Wall Mounting



Pole Mounting



Corner Mounting