

V1182-0550-B3RY

LENS, 2MP, 1/2.7", F=5-50MM, F/1.4, DC AUTO IRIS

Infinova[®]



FEATURES

- 2.0MP
- DC auto iris
- CE Certified.
- Able to correct the chromatic aberrations that occur in both visible light and infrared (IR) light, applicable for day/night camera
- Aspherical lens to offer you excellent image of high resolution and contrast
- Compact structure, easy to install
- IR correction

Infinova's V1182-0550-B3RY series HD 2.0MP IR vari-Focal lens which features wide aperture of F1.4 and broad focal length of 5-50mm is of many kinds of applications. It is able to work under the condition of -20°C~+60°C and have the function of IR correction. Besides, its compact structure makes it easier to install.

TECHNICAL SPECIFICATIONS

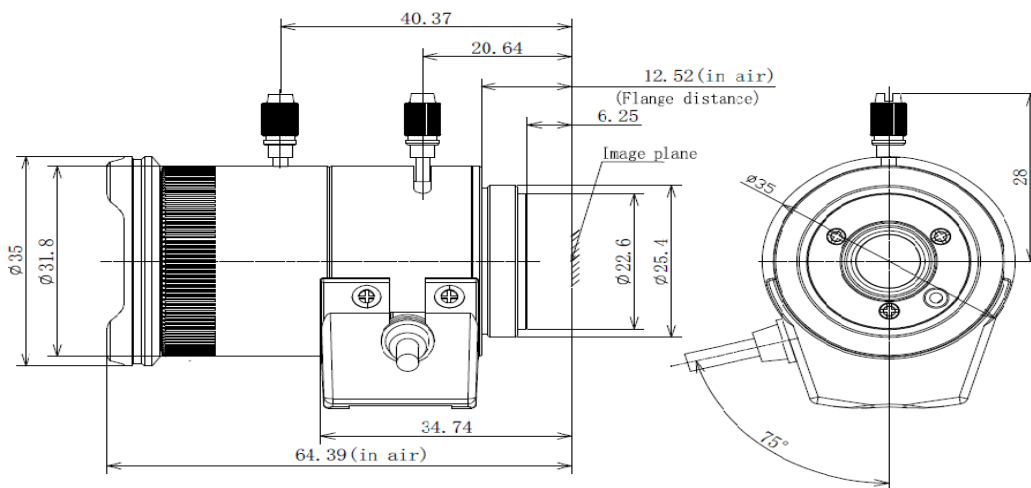
Model	V1182-0550-B3RY
Resolution	2 Megapixel
Image Format	1/2.7"
Focal length	5-50mm
Aperture (F/#)	1.4
Mount	CS
Field Angle (D×H×V)	50.9°(W); 27.8°(V); 59.2°(D)
Optical Distortion	W:14.2% T:2%
M.O. D	W:1m; T:3m

Dimension	Ø 35mm×40.37mm~64.39mm	
Flange BFL	12.52±0.1 (in air)	
Optical BFL	6.87±0.1 (in air)	
TTL	64.39±0.2 (in air)	
IR Correction	Yes	
Operation	Focus	Manual
	Zoom	Manual
	Iris	DC
Operating temperature	-4°F~140°F (-20°C ~+60°C)	

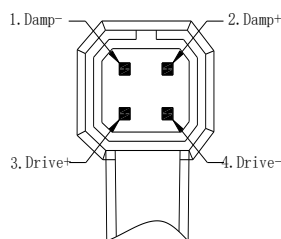
ORDERING INFORMATION

V1182-0550-B3RY Lens, 2MP, 1/2.7", f=5-50mm, F/1.4, CS Mount, DC auto iris

DIMENSIONS



(Unit: mm)



Size tolerance (mm)	Ø 35(D)*	40.37(H)*	64.39(L)
Angle tolerance	±2°		