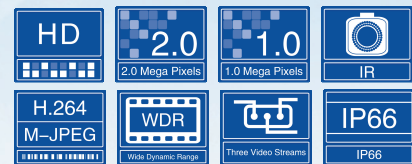


V1492MR-T Series

HD 1MP and 2MP Integrated IP PTZ Camera with IR Illuminators

Infinova[®]
The Integrator's Manufacturer



- Built-in with 18X or 20X HD integrated camera module
- Resolution up to 1920×1080@30fps or 1280×720@30fps
- High-performance IR illuminators (wavelength: 850 nm) for super night vision, with an IR range of 330ft. (100m)
- Automatically adjust the power consumption of IR LED as per the camera zoom level to deliver outstanding image quality
- Supports infrared light focusing, to avoid virtual focus
- Three Simultaneous Video Streams: Dual H.264 high profile & Scalable M-JPEG
- Onvif Profile S compliant
- Remote PTZ control
- Supports RS485 remote control and analog video output
- Supports area zoom and image PTZ
- Multiple white balance modes
- Supports image overlapping
- Supports defog processing
- Local recording, storage to SD card
- Supports Presets, AutoPans, Patterns, AutoScan, Timed Tour, Normal Tour and Home Return
- Privacy mask, motion detection
- Alarm function (2 alarm inputs and 1 relay output)
- Bi-directional audio, G.711
- High strength aluminum-alloy casting, heat and corrosion resistant
- Window wiper, built-in heater and window defroster
- Operational in 90mph wind conditions, withstanding wind velocity of up to 130mph
- IP66 environmental rating
- Upgrade online

V1492MR-T series HD 1MP and 2MP Integrated IP PTZ Camera with IR Illuminators features a set of full digital real-time image acquisition system to deliver clear image at high frame rate and excellent signal-to-noise ratio.

V1492MR-T series supports H.264 and M-JPEG compression formats, available with three simultaneous video streams. The PTZ cameras are compatible with 18X and 20X HD camera module, with the resolution up to 1280 × 720@30fps or 1920×1080@30fps.

The PTZ cameras offer a user-friendly GUI interface, which makes it easy to adjust the video parameters and perform the PTZ operation. In addition, functions like area zoom and image PTZ are also available.

The PTZ cameras use imported high efficiency IR LED, with wavelength of 850 nm and IR effective range up to 330ft. (100 m). The power consumption of the IR LED can be automatically adjusted as per the zoom level of the camera, so as to deliver an ideal night vision effect. Besides, the IR LEDs have high stability, which can be used for a long time, and can reduce maintenance costs.

The PTZ cameras also feature such functions as Presets, Patterns, AutoPans, AutoScan and Normal Tour.

Its powder-coated aluminum construction, absolute operating temperature range of -40°F~140°F (-40°C~60°C) and built-in heater and defroster automatically enabled at low temperatures makes it an ideal surveillance solution for both indoor and outdoor applications.

Technical specifications

Models

V1492MR-18TH, V1492MR-20TH, V1492MR-20TL

Lens

Optical Zoom	18X, 20X
Aperture/ Focal Length	18TH: F1.6~F2.8, f=4.7~84.6mm 20TH: F1.6~F3.5, f=4.7~94mm 20TL: F1.6~F3.5, f=4.7~94mm
Angle of View (H)	18TH: 59.7° (Wide) ~ 3.6° (Tele) 20TH: 55.2° (Wide) ~ 2.9° (Tele) 20TL: 59.5° (Wide) ~ 3.2° (Tele)
Min. Work Distance	0.01m (Wide)~ 1.0m (Tele)

Camera

Image Sensor	18TH: 1/3" CCD 20TH/20TL: 1/2.8" CMOS
Scanning System	Progressive scanning
Effective Pixels	1.0Mpx (18TH) 2.0Mpx (20TH/20TL)
S/N Ratio	>50dB
Sensitivity (18TH)	Color mode: 0.8 lux (1/30s, F1.6, 50%, AGC-Gain: 34dB) 0.1 lux (1/4s, F1.6, 50%, AGC-Gain: 34dB) B/W mode: 0 lux (IR on)
Sensitivity (20TH)	Color mode: 0.8 lux @F1.6 (50IRE) B/W mode: 0 lux (IR on)
Sensitivity (20TL)	Color mode: 0.04 lux @F1.6 (AGC ON) B/W mode: 0 lux (IR on)
Sync System	Internal
Iris	Auto, Manual, M/A
Focus	Auto, Manual, M/A
Shutter	18TH: Auto (1/30s~1/10000s) 20TH: Auto (1/1.5s~1/30,000s) 20TL: Auto (1/25s~1/10000s)
DSS	18TH: / 20TH/20TL: Available

Image

Max. Resolution	18TH: 1280×720@30fps 20TH/20TL: 1920×1080@30fps
Image Mirror	18TH: Off/H-mirror 20TH/20TL: Off/H-mirror/V-mirror/HV-mirror
Image Freeze	Available (for 20TH)
DNR	18TH: / 20TH: OFF/MANU/AUTO (level 1~3) 20TL: OFF/ level 1~7
White Balance	18TH/20TH: AUTO/MANU/SODI/MERC 20TL: AUTO/MANU/INDOOR/OUTDOOR/ATW/OUTDO OR AUTO/SODI AUTO
AGC	Available
WDR	18TH/20TL: ON/OFF 20TH: OFF/WDR/WDR*/AD WDR/AD WDR*
BLC	ON/OFF
Defog Processing	Available (for 18TH/20TH)
Others	18TH: Sharpness adjustable 20TH: Sharpness adjustable, slow AE 20TL: Sharpness, contrast, brightness, and saturation adjustable, slow AE, chroma suppression, purple fringing suppression

Operational

Presets	1~255
Patterns	4
Autopans	4
Normal Tours	6 (each tour can be associated with 14 actions, including Preset 1~32, Pattern 1~4, or AutoPan 1~4)
Home Return	Available

Timed Tours	Available
Auto Scan	Available
Motion Detection	4 areas
Privacy Mask	4 areas
Alarm	2 inputs, 1 output
Area Zoom	Available
Web Server	Available
Upgrade Online	Available

Compression

Audio Compression	G.711
Video Compression	H.264 High profile/M-JPEG

Interface

Audio Port	1 input (Linear level, resistance: 1000 Ohm) 1 output (Linear level, resistance: 600 Ohm)
Network Port	1 RJ-45 10M/100M self-adaptive Ethernet Port

Network

Data Rate	Variable bit rate (vbr); Constant bit rate (cbr): 256Kbps~10Mbps
Network Delay	<300ms
Network Protocol	IPv4, TCP, UDP, IGMP, DHCP, FTP, SNMP (V3), SMTP, NTP, RTP, RTSP, RTCP, HTTP, HTTPS, TLS, SSL, 802.1X, QoS, PPPoE, DNS, ARP, ICMP

Mechanical

Variable Speed	Pan: 0.1°~30°/s; Tilt: 0.1°~20°/s
Preset Speed	60°/s (max.)
Preset Accuracy	±0.3°
Rotation Angle	Pan: 360°; Tilt: +40° ~ -80°

Electrical

Power Supply	24VDC/24VAC
Power Consumption	<110W (w/ heater)

Environmental

Atmospheric Pressure	≤1.5MPa
Operating Temp.	-40°F~140°F (-40°C~+60°C)
Storage Temp.	-4°F~140°F (-20°C~+60°C)
Operating Humidity	0~95%RH (non-condensing)
Defogger	Thermostatically controlled: Turns on below 59°F (15°C); Turns off above 68°F (20°C)

Physical

Construction	High-strength aluminum alloy, stainless steel
Environmental Rating	IP66
IR LED	Wave length: 850nm; Coverage distance: 330ft (100m)
Mounting	Surface, wall, pole side, corner, pole top
Window Type	HD transparent glass
Window Size	2.32" × 2.32" (59mm×59mm)
Unit Weight	48.50lbs. (22kg)
Shipping Weight	55.12 lbs. (25kg)
Unit Dimensions (L×W×H)	19.26"×13.79"×18.11" (489.2 mm×350.2 mm×460 mm) 24.21"×23.03"×13.00"
Box Dimensions (L×W×H)	(615 mm×585 mm×330 mm) (for camera) 11.42"×8.27"×5.91" (290 mm×210 mm×150 mm) (for IR LED)

Certifications and Approval

Product	CE ¹ , FCC ² , UL, ISO 9001: 2008
Certifications	

Certificate No.: ¹ CTL1407151633-EC, ² CTL1407151633-FC

Ordering information

V1492MR-18T05HE	HD 1MP Integrated IP PTZ Camera with IR illuminators (18X optical zoom, day/night, 1/3-inch progressive scan CCD, H.264/M-JPEG, NTSC/PAL, 24VDC)
V1492MR-20T25HE	HD 2MP Integrated IP PTZ Camera with IR illuminators (20X optical zoom, day/night, 1/2.8-inch progressive scan CMOS, H.264/M-JPEG, NTSC/PAL, 24VDC)
V1492MR-20T25LE	HD 2MP Integrated IP PTZ Camera with IR illuminators (20X optical zoom, day/night, 1/2.8-inch progressive scan CMOS, H.264/M-JPEG, NTSC/PAL, 24VDC)
V1492MR-18T06HE	HD 1MP Integrated IP PTZ Camera with IR illuminators (18X optical zoom, day/night, 1/3-inch progressive scan CCD, H.264/M-JPEG, NTSC/PAL, 24VAC)
V1492MR-20T26HE	HD 2MP Integrated IP PTZ Camera with IR illuminators (20X optical zoom, day/night, 1/2.8-inch progressive scan CMOS, H.264/M-JPEG, NTSC/PAL, 24VAC)

V1492MR-20T26LE	HD 2MP Integrated IP PTZ Camera with IR illuminators (20X optical zoom, day/night, 1/2.8-inch progressive scan CMOS, H.264/M-JPEG, NTSC/PAL, 24VAC)
-----------------	---

Note: The mounting brackets, 24VDC and 24VAC power supply unit shall be ordered separately.

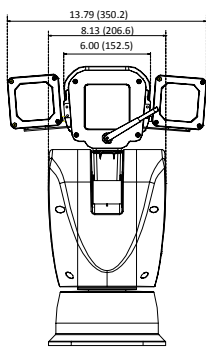
Recommended Installation Mounts

V1663-W2	Wall Mount
V1663-S2	Pole Side Mount
V1663-C2	Corner Mount

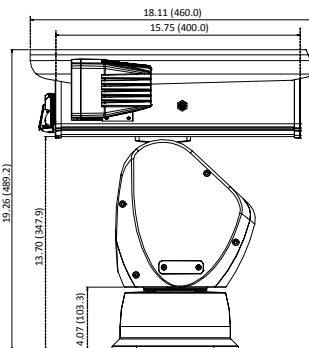
Power Supply

N3925-24D-6	Power Supply, 24VDC, 6A, Plug-In, 110-230VAC
-------------	--

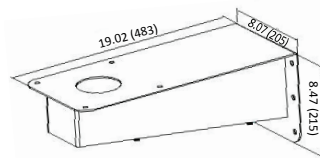
Dimensions



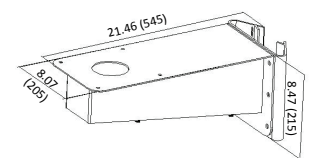
Front View



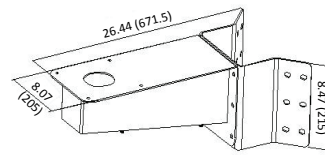
Side View



Wall Mount



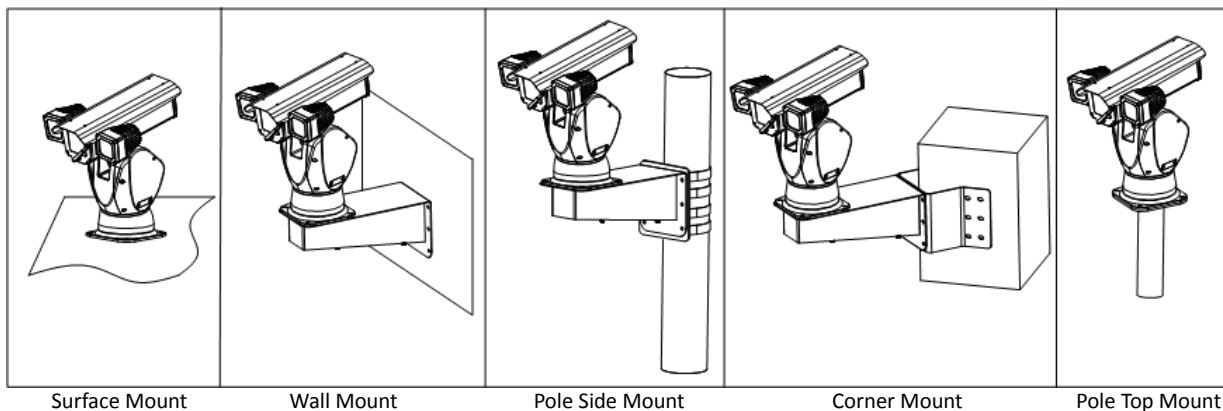
Pole Side Mount



Corner Mount

(Unit: inch, in the parentheses is mm)

Mounting



Surface Mount

Wall Mount

Pole Side Mount

Corner Mount

Pole Top Mount