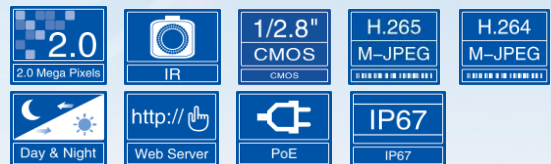


VH211-A2 Series

HD 2MP WDR IR Smart IP Box Camera

Infinova[®]
The Integrator's Manufacturer



- 1/2.8" CMOS sensor
- IR-Cut Removable (ICR) Filter for Day/Night switching
- IR distance up to 30m
- Uses Smart-IR technology; auto-adjusts IR lamp power according to ambient illumination
- Supports multi-frame integration WDR, with dynamic range up to 132dB
- Built-in motorized zoom lens, supporting assistant focusing
- Smart functions, such as perimeter protection (wire cross and invasion detection) and features detection (scene change, defocus, color cast, low brightness and high brightness)
- H.265+M-JPEG or H.264+M-JPEG video encoding, three streams
- Maximum resolution supports 1920×1080@30fps
- Bi-directional audio, G.711-A/G.711-U/AAC optional
- Supports corridor mode
- Local PC recording
- Supports SD card storage/NAS storage
- Support alarm recording and event recording (including network disconnection)
- Supports alarm snapshot and event snapshot
- Supports multiple alarm trigger methods such as I/O input, broken network, motion detection, video tampering, smart analyzing, etc.;
- supports flexible alarm association settings like I/O output, emails, FTP picture uploading, audio, SD card recording and alarm information push
- Up to 8 ROI (Region of Interest) areas
- Supports motion detection, 4 areas configurable
- Supports privacy mask, 4 privacy areas configurable
- Supports live access and parameter setting via Web Server from multiple users
- Compatible with Infinova's digital video surveillance software
- Standard SDK provided for easy integration with other video surveillance software
- ONVIF Profile S & ONVIF Profile G compliant
- Supports PoE/12VDC/24VAC power supply
- IP67 rating
- With analog video output

VH211-A2 Series HD 2MP WDR IR Smart IP Box Camera adopts a 1/2.8" progressive scan CMOS sensor and has an internal 2.8-12mm HD motorized zoom lens, together with internal dot matrix LED IR illuminators covering 30m distance. The output power of IR illuminators can be automatically adjusted according to the lighting of the scene to avoid full load, greatly reducing the power consumption and extending the service life.

The camera adopts H.265/H.264/M-JPEG encoding and 3 streams, features high resolution up to 1080P@30fps and provides outstanding color rendition which helps you get richer and more accurate details.

The camera also features multiple smart functions, including detection of wire-cross, intrusion, scene change, defocus and color cast, as well as low brightness and high brightness, which makes it suitable for all kinds of high end applications.

The camera is compact in structure and easy to install.

The products can be widely used in sites that demand high definition image quality with no lighting of ordinary buildings, supermarkets, hotels, shops, parks, schools, factories, warehouses, underground parking lots, etc.

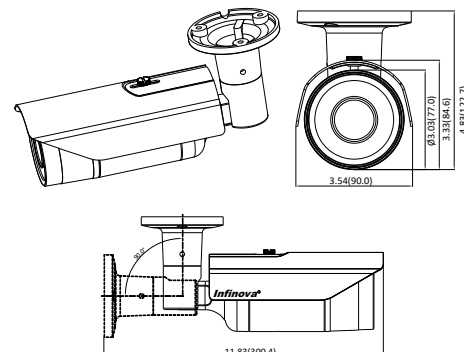
Technical specifications

Image Sensor	1/2.8" CMOS	
Lens Configuration	Motorized zoom lens, F1.4, f=2.8-12mm	
Lens Mount	Φ14	
FOV	H	33°-89°
	V	18°-48°
	D	38°-103°
IR Lamp Wave Length	850nm	
Night Vision Distance	30m	
Day/Night Switching	ICR	
Sensitivity	Color mode: 0.002 lux@F1.4 (AGC ON); B/W mode: 0.0002 lux@F1.4 (AGC ON); 0 lux (IR ON)	
S/N Ratio	62dB	
Exposure	Scene, Manual, Shutter	
Shutter	Auto/Manual (adjustment range 1/1s~1/32000s)	
AGC	Auto/Manual adjustable, max. 64X	
White Balance	Auto/Manual/Outdoor	
WDR	Supports multi-frame integration mode wide dynamic range up to 132dB	
Video Adjustment	Brightness, contrast, saturation, chroma, sharpness	
Noise Reduction	3D	
Defog	Available	
EIS	Available	
Corridor Mode	Available	
Image Mirror	Horizontal/Vertical mirror	
Video Compression	H.265/H.264 switchable M-JPEG independent	
Max. Encoding Capacity	1080P@30fps+720P@30fps+M-JPEG1080P@5fps	
Output Code Rate	Variable; Constant: major stream: 256Kbps~1000Kbps; minor stream: 256Kbps~2000Kbps	
Audio	Compression: G.711-A, G.711-U, AAC Sampling rate: 8KHz (for G.711-A, G.711-U) 16KHz, 32KHz, 44.1KHz, 48KHz optional (for AAC) Port: 1 linear input, 1 linear output	
Smart Functions	Detections of wire cross, regional invasion, scene change, defocus, low brightness, high brightness, video loss, color cast, camera tampering	
Alarm	2 alarm inputs, 1 on-off output	

Network Delay	≤200ms
Motion Detection	Supports up to 4 motion detecting areas
Privacy Mask	Up to 4 masks
ROI	Up to 8 regions
Internal Storage	Supports a Micro SD/SDHC/SDXC card (128G)
Local PC Recording	Available
Remote Network Upgrade	Available
Password Protection	Available
Network Port	One RJ45 10/100M self-adaptive Ethernet port
Analog Video Output	Available, a BNC connector
Network Protocols	IPv4/IPv6, TCP, UDP, IGMP, ICMP, IGMPv2/3, DHCP, SNMP (V1, V3), FTP, SMTP, NTP, RTC, RTP, RTSP, RTCP, HTTP, HTTPS, SSL, 802.1x, QoS, PPPoE, DNS, DDNS, ARP, UPnP, IP Filter, TLS, DES, Multicast
IP Address Filter	Available
Power Supply	PoE (IEEE 802.3af)/12VDC (-15%~+25%) /24VAC (-15%~+25%)
Power	<13W
Protection Design	Lighting protection (network port and power supply connector): protection differential mode 2KV, common mode 4KV surge; Anti-static (all ports): contact protection 6KV static
Operating Temperature	-40°F ~ 140°F (-40°C ~ 60°C)
Storage Temperature	-4°F ~ 140°F (-20°C ~ 60°C)
Operating Humidity	0%~95% RH (non-condensing)
Unit Dimension (H×W×D)	3.33"×3.54×11.83" (84.6mm×90mm×300.4mm)
Box Dimensions	14.96"×5.98×5.12" (380mm×152mm×130mm)
Net Weight	2.09lbs. (0.95Kg)
Shipping Weight	2.76lbs. (1.25Kg)
Certifications and Approval	
Product Certifications	CE/EMC: EN 55032, EN 55035, EN 61000-3-2, EN 61000-3-3 ¹ ; FCC: Part 15 Subpart B Class A ² ; ISO 9001:2008; IP67; UL ³

Certificate No.: ¹CTL1703238081-EC; ²CTL1703238081-FC; ³E232008

Dimensions



(Unit: inch, in the parentheses is mm)

Ordering information

VH211-A20B-A0	HD 2MP Megapixel WDR IR Smart IP Box Camera, 2.0Mpx, 1/2.8"CMOS, day/night, H.265/H.264/M-JPEG, with audio alarm, 2.8~12mm motorized zoom lens, 30m IR distance, outdoor, IP67, PoE/12VDC/24VAC
---------------	---