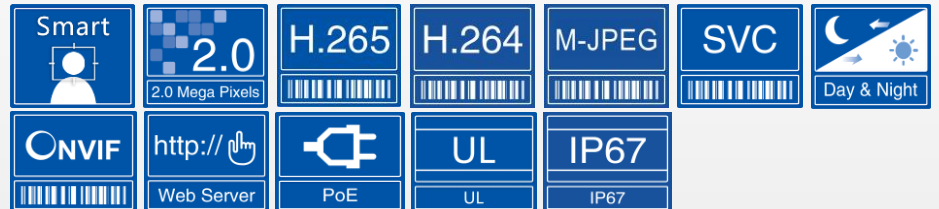


VH211-A20E-P0

HD 2MP INTELLIGENT STARLIGHT WDR IR IP CAMERA

Infinova[®]



FEATURES

- 1/2.8" progressive scan CMOS
- IR-Cut Removable (ICR) Filter for true Day/Night
- IR illumination distance up to 70m
- Applied with Smart-IR technology to adjust the light power according to ambient lighting conditions
- Support multi-frame integrated WDR, with a range up to 120dB
- Built-in motorized zoom lens
- Support H.265/H.264/M-JPEG/SVC encoding formats
- High-resolution image signal output: 1080P@30fps
- Smart H.265/Smart H.264 available for efficient use of band resources
- Support vivid smart functions such as video anomaly detection, behaviour-analysis detection, sound detection, intelligent grouping detection and Face capture grouping integrated with mask recognition
- Bi-directional audio, G.711-A/G.711-U/AAC
- Local PC recording
- Micro SD card
- Up to 8 ROI (Region of Interest) areas
- Up to 4 definable privacy mask areas
- Supports corridor mode
- Supports simultaneous access and parameter setting via Web Server from multiple clients
- Onvif Profile S/G & T compliant
- Powered by PoE/12VDC/24VAC
- IP67 environmental rating
- UL

DESCRIPTION

Infinova VH211-A20E-P0 series HD 2MP Intelligent Starlight WDR IR IP camera applies 1/2.8-inch CMOS sensor and 7~22mm HD motorized zoom lens. The built-in IR lights can cover up to 70m and its power can be automatically adjusted according to ambient lighting conditions, greatly reducing power consumption and extending its service life.

With H.265/H.264/M-JPEG/SVC video compression formats, the camera outputs three video streams and delivers high-quality images with resolution up to 1920×1080@30fps, which can provide marvelous definition, color restoration and accurate details.

Based on the self-developed deep learning algorithm, the camera supports full smart analysis functions, including video anomaly detection, face detection, tracking and capture, mask recognition, counting application, crowd density detection, behaviour analysis and so on to meet all kinds of high-end commercial applications.

The camera can be widely used in ordinary buildings, supermarkets, hotels, shops, parks, schools, factories, warehouses, underground parking and other occasions with low light conditions but requiring high-quality images.

TECHNICAL SPECIFICATIONS

| | |
|-------------------------------------|--|
| Lens (Visible) | |
| Image Sensor | 1/2.8" progressive scan CMOS |
| Optical Zoom | - |
| Digital Zoom | - |
| Focal Length | f= 7~22mm |
| Iris | F1.6 |
| Focus | Online assistant focus available |
| FOV(H/V/D) | H:39.3°-15.5°, V: 28.8°-11.6°, D: 50.9°-19.5° |
| Lens Mount | φ14 |
| Lens (Thermal) | |
| Imager Type | - |
| Lens Type | - |
| Spectral Band | - |
| Pixel Size | - |
| NETD | - |
| Focal Length | - |
| FOV | - |
| Video | |
| Camera Resolution (Visible Lens) | 2MP |
| Camera Resolution (Thermal Lens) | - |
| Max. Coding Capacity (Visible Lens) | Major stream: H.264/H.265-30fps@1920x1080 Minor stream: H.264/H.265-30fps@1280x720 Third stream: M-JPEG- 30fps@1920x1080 |
| Max. Coding Capacity (Thermal Lens) | - |
| Data Rate | VBR/CBR Major stream: 256Kbps~10240Kbps; Minor stream: 256Kbps~4096Kbps |
| Video Compression | H.265/H.264/M-JPEG/SVC independent coding |
| Multi-Streaming | Three - stream independent output |
| Video Rotation | Video can be rotated by 90°, 180° or 270° |
| Audio | |
| Audio Compression | G.711-A/ G.711-U/ AAC |
| Sample Rate | 8KHz (for G.711-A/G.711-U), 16KHz, 32KHz, 44.1KHz and 48KHz (for AAC) |
| Audio Interface | 1 input, Linear level; 1 output, Linear level |
| Two-way Audio | Available |

| | |
|--------------------------------|--|
| Mic & Speaker | - |
| Image | |
| Shutter | Auto/Manual (1/1s~1/32,000s) |
| WDR | Up to 120dB |
| Exposure | Auto/Manual/Shutter |
| Sensitivity | Color mode: 0.001 Lux@ F1.4(AGC ON); B/W mode: 0.0001 Lux@ F1.4(AGC ON); 0 lux (IR ON) |
| White Balance | Auto/Manual/Outdoor |
| Video Adjustment | Brightness, contrast, saturation, hue, sharpness |
| Noise Reduction | 3D |
| S/N Ratio | ≥55dB |
| Defog | Available |
| EIS | Available |
| Mirror | Horizontal/Vertical |
| Corridor Mode | Available by video rotation |
| Day/Night Switching | ICR |
| AGC | Auto/Manual, up to 64X |
| BLC | Available |
| HLC | Available |
| Privacy Mask | Up to 4 definable zones |
| ROI | Up to 8 definable zones |
| OSD | Supported |
| Pan/Tilt Functions | |
| Preset | - |
| Pattern | - |
| Autopan | - |
| Normal Tour | - |
| Home Return | - |
| Timing Tour | - |
| Autoscan | - |
| Area Zoom | - |
| IR Illumination | |
| Smart-IR | Available |
| Wave Length | 850nm |
| Night Vision Distance | 70m |
| Temperature Measurement | |
| Screening Function | - |
| Measurement | - |

TECHNICAL SPECIFICATIONS

| | |
|-------------------------|---|
| Measurement Distance | - |
| Measurement Range | - |
| Accuracy | - |
| Smart Analytics | |
| Video Analytics | Video Anomaly Detection-Camera tampering, camera shifting, defocus detection, high brightness detection, low brightness detection, video loss detection, color cast detection, and motion detection |
| | Behaviour Analysis Detection - Wire crossing detection, intrusion detection, object abandoned detection, object lost detection, loitering detection, crowd detection, fast moving detection, target stop detection, and fall over detection |
| | Sound Detection - Abnormal sound detection and fight detection |
| | Statistics Detection - Counting, density detection, queue length detection and dwelling detection |
| | Intelligent Grouping Detection- Behaviour analysis grouping, face capture grouping. |
| | Face capture - Supports face detection, tracking and capturing. |
| | Optimum Selection- Supports optimum selection and duplicate removal for captured target images to deliver the best-quality images. |
| | Face Exposure - Available |
| | Face attributes - gender, glasses, eyes open, mask, mouth open |
| | Storage |
| Storage Slots | Support single card |
| Built-in Storage | up to 512GB |
| NAS Storage | - |
| Local PC Recording | Available |
| Alarm | |
| Alarm Ports | 2 alarm inputs, 1 on-off output |
| Alarm Input | I/O input, smart detection, SD card full of videos, SD card full of images, network disconnection, heartbeat loss |
| Alarm Association | I/O output, email, image upload via FTP, image upload via HTTP, SD card recording, SD card snapshot, alarm info push |
| System Functions | |
| Operating System | Win 7 and higher versions |
| Browser | IE8 and higher versions |
| Access Protocol | ONVIF Profile S/G/T, CGI 2.7 |
| Multiple Access | Up to 20-ch simultaneous access |

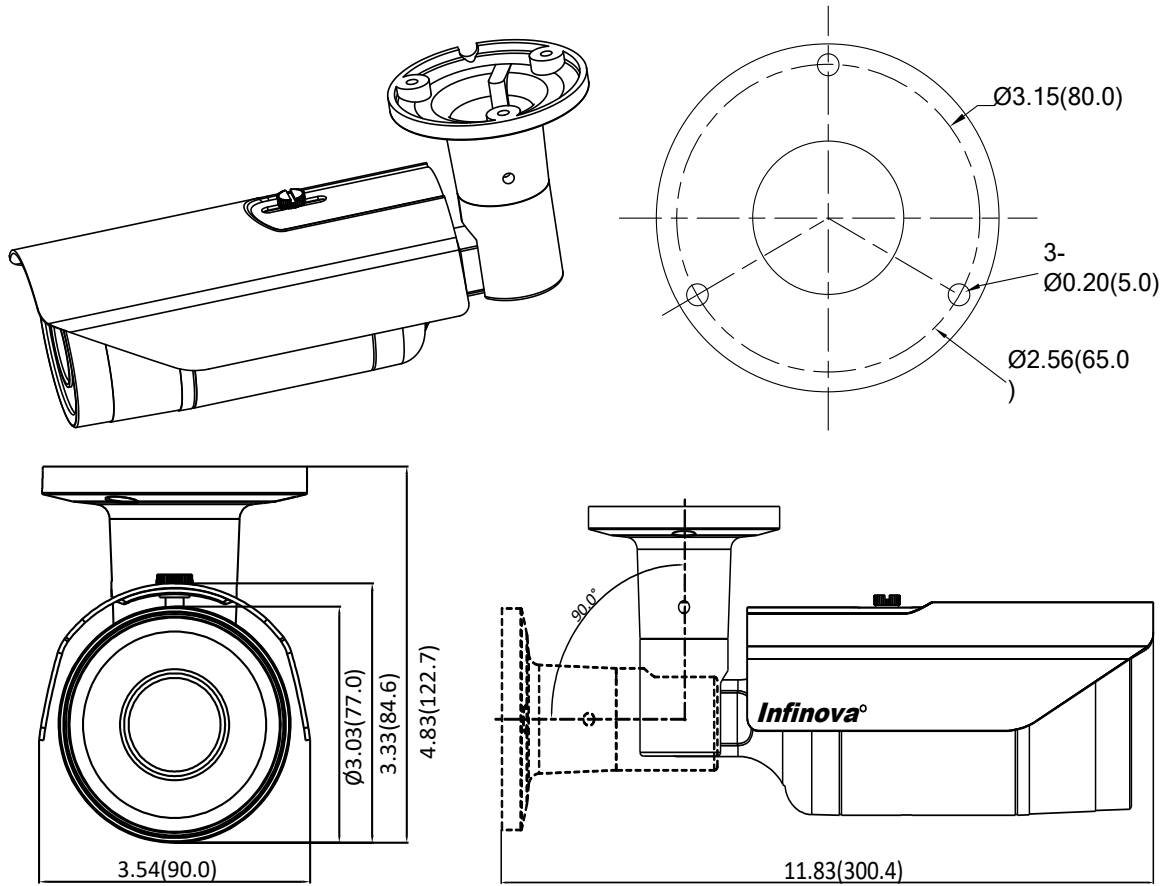
| | |
|--------------------------------------|--|
| Web Server | Available |
| Remote Upgrade | Available |
| Password Protection | Available |
| RS485 Port | - |
| Analog Video Output | - |
| Maximum Number of Users | 64, with 3 types of users available: administrator, normal user, and operator |
| Wiper | - |
| Network | |
| Network Interface | 1 RJ45 10M/ 100M self-adaptive Ethernet port |
| Network Protocols | IPv4/IPv6, TCP, UDP, IGMP, ICMP, IGMPv2/3, DHCP, SNMP (V1, V3), FTP, SMTP, NTP, RTC, RTP, RTSP, RTCP, HTTP, HTTPS, SSL, 802.1x, QoS, PPPoE, DNS, DDNS, ARP, UPnP, IP Filter, TLS, DES, Multicast |
| IP Address Filtering | Available |
| Network Delay | <200ms |
| Environmental | |
| Anti-Static | Air discharge: 8KV; contact discharge: 6KV |
| Surge Protection | Difference mode: ±1KV, common mode: ±2KV |
| Operating Temperature | -40°F~140°F (-40°C~+60°C) |
| Storage Temperature | -4°F~140°F (-20°C~+60°C) |
| Operating Humidity | ≤ 95% RH |
| Environmental Rating | IP67 |
| Impact Resistance | IK10 |
| Mechanical | |
| Manual Speed | - |
| Preset Speed | - |
| Rotation Angle | - |
| Preset Accuracy | - |
| Electric Motor | - |
| Electrical | |
| Power Supply | PoE (IEEE 802.3af Class 2) /12VDC /24VAC |
| Power Consumption | <12W |
| Physical | |
| Product Dimension (L×W×H) or (H x D) | 3.33"×3.54"×11.83" (84.6mm×90mm×300.4mm) |
| Package Dimension (L x W x H) | 14.96"×5.98"×5.12" (380mm×152mm×130mm) |
| Unit Weight | 2.09lbs. (0.95Kg) |
| Shipping Weight | 2.76lbs. (1.25Kg) |
| Certifications | |
| Product Certifications | CE, FCC, IK10, IEC, IP67, RoHS, UL |

ORDERING INFORMATION

| | |
|---------------------|---|
| VH211-A20E-P0 | HD Megapixel Intelligent Starlight WDR IR IP Bullet Camera, 2MP, 1/2.8" CMOS, Mask recognition, Day/night, H.265/H.264/M-JPEG/SVC, 7~22mm motorized zoom lens, IR illumination distance up to 70m, Outdoor, IP67, With audio alarm, PoE/12VDC/24VAC |
| Accessories | |
| Power Supply | |
| N3921-12D-1 | AC to DC Power Supply, Plug-In, 230VAC, Output 12VDC, 1.5A |
| N3922-24A-2 | AC to AC Power Supply, Plug-In, 230VAC, Output 24VAC, 3A |
| N3922-30P-2 | Smart POE Injector, 100VAC-240VAC input, 30W output |

*Note: - "Confirmation of SD Card installation has to be notified with the Camera Purchase Order. Such confirmation if received on Order Readiness will attract additional cost. Please contact Infinova to know more".

DIMENSIONS



(Unit: inch, in the parentheses is mm)