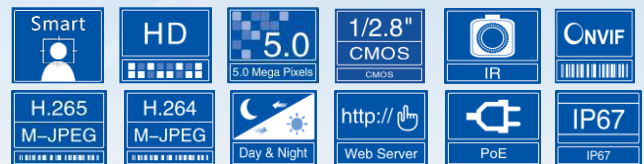


VH211-A5 Series

HD 5MP Intelligent Starlight WDR IR IP Camera

Infinova[®]



- With embedded design and integrated NPU module, support face detection, tracking and capturing based on deep learning algorithm
- High-resolution image signal output: 2560×1920@30fps
- 1/2.8" HD progressive scan CMOS
- Sensitivity: 0.0005 lux
- Support multi-frame integrated WDR, with a range up to 120dB
- IR-Cut Removable (ICR) Filter for Day/Night switching
- With Smart-IR technology, the power of the IR illuminator can be adjusted according to ambient lighting conditions
- IR illumination distance up to 50m
- Built-in motorized zoom lens, assistant to focus adjustment
- H.265/H.264/M-JPEG three encoding formats
- Support vivid smart functions:
 - 8 types of video anomaly detection: camera tampering, camera shifting, defocus detection, high brightness detection, low brightness detection, video loss detection, color cast detection and motion detection
 - 8 types of behavior-analysis detection: wire crossing detection, intrusion detection, object abandoned detection, object lost detection, loitering detection, crowd detection, fast moving detection and target stop detection
 - 2 types of sound detection: abnormal sound detection and fighting detection
 - 4 types of statistics detection: people counting, density detection, queue length detection, and dwelling detection
 - 2 types of intelligent grouping detection: face capture grouping and behavior analysis grouping
- Support optimum selection and duplicate removal for the captured face images by checking the face angle and image resolution, so as to reduce useless images to be uploaded to the server; face images and scene images can be uploaded to the platform for a secondary analysis and retrieval
- Able to detect human face when tilting up or down $\pm 45^\circ$, turning right or left $\pm 45^\circ$, or leaning right or left 45°
- Able to detect face images with a minimum of 30*30 pixels at 1080P
- The face capture rate is $\geq 99\%$
- Able to detect 32 face images simultaneously in a single scene
- Support intelligent face exposure, automatic face position detection and dynamic area adjustment for face exposure to obtain clearer face images

- Onvif Profile S/G/Q and RTSP compliant
- Support multiple ways to trigger alarms, such as I/O input, smart detection, SD card removal, SD card full of videos, SD card full of images, network disconnection and heartbeat loss; support flexible alarm associated settings: like I/O output, email, image upload via FTP, audio, SD card recording and SD card snapshot; support arming by time
- Support rich network protocols, including IPv4/IPv6, TCP, UDP, IGMP, ICMP, IGMPv2/3, DHCP, SNMP (V1, V2, V3), FTP, SMTP, NTP, RTP, RTSP, RTCP, HTTP, HTTPS, SSL, 802.1x, QoS, PPPoE, DNS, DDNS, ARP, UPnP, IP Filter, TLS, Multicast and SIP
- Standard http protocol or SDK are provided to seamlessly connect to our intelligent platform or the third-party platform, so as to meet the higher requirements of intelligent application
- Support corridor mode
- Support simultaneous access and parameter settings via Web Server from multiple clients
- Bi-directional audio, G.711-A/G.711-U/G.726/AAC
- 2 alarm inputs, 1 on-off output
- Micro SD card/NAS storage
- Powered by PoE/12VDC/24VAC
- IP67 environmental rating

Infinova VH211-A5 series HD 5MP Intelligent Starlight WDR IR IP camera applies 1/2.8-inch CMOS sensor and 2.8~12mm HD motorized zoom lens. The built-in IR lights can cover up to 50m and its power can be automatically adjusted according to ambient lighting conditions, greatly reducing power consumption and extending its service life. With H.265/H.264/M-JPEG video compression formats, the camera outputs high-quality images with resolution up to 2560×1920@30fps, which can provide marvelous definition, color restoration and accurate details.

The camera is endowed with vivid smart functions such as face capture and behavior analysis. Triggered by alarm events, the intelligent capture function enables face images and scene images to be captured and uploaded to Infinova intelligent platform for secondary identification and analysis.

Technical specifications

Lens	
Iris/Focal Length	Motorized zoom lens, F1.6, f=2.8~12mm
Image Sensor	1/2.8" progressive scan CMOS
Lens Mount	Φ14
D/N Switch	ICR
IR LED	
Smart-IR	Available
IR Lamp Wave Length	850nm
Night Vision Distance	50m
Video	
Video Compression	H.265/H.264 switchable M-JPEG independent coding
Max. Encoding Capacity	Major stream: H.264/H.265-30fps@2560×1920 Minor stream: H.264/H.265-30fps@1280×720 Third stream: H.264/H.265-30fps@384×256 Major stream: H.264/H.265-30fps@2560×1920 Minor stream: H.264/H.265-30fps@1280×720 Third stream: MJPEG-15fps@1920×1080
Data Rate	Major stream: 128kbps~16384kbps Minor stream: 128kbps~4096kbps Third stream: 128kbps~512kbps
Multi-Streams	Three-stream independent outputting
Video Rotation	Video can be rotated by 0°, 90°, 180° or 270°
ROI	Up to 8 regions
Network Delay	≤200ms
Multiple Access	Up to 20-ch simultaneous access
I-Frame Anti-tampering	Available
Privacy Mask	Up to 4 masks
OSD	Available
Audio	
Audio Compression	G.711-A, G.711-U, G.726, AAC Port: 1 linear input, 1 linear output
Sampling rate	8KHz (for G.711-A/ G.711-U/ G.726) , 16KHz, 32KHz, 44.1KHz, 48KHz (for AAC)
Audio Interface	1 linear input, 1 linear output
Two-way Audio	Available
Shutter	
Sensitivity	Color mode: 0.005 lux (IR OFF); B/W mode: 0.0005 lux (IR OFF); 0 lux (IR ON)
Horizontal Center Resolution	≥1600TVL
Exposure	Auto/ Manual/ Shutter
Shutter	Auto/Manual (adjustment range 1/1s~1/32000s)
AGC	Auto/Manual adjustable, max. 64X
White Balance	Auto/Manual/Outdoor
WDR	Supports multi-frame integration mode wide dynamic range up to 120dB
Video Adjustment	Brightness, contrast, saturation, hue, sharpness
Noise Reduction	3D
S/N Ratio	≥65dB
Defog	Available
EIS	Available
BLC	Available
HLC	Available
Corridor Mode	Available
Image Mirror	Horizontal/Vertical mirror
Day/Night	Available

Smart Analytics	
Video Anomaly Detection	Camera tampering, camera shifting, defocus detection, high brightness detection, low brightness detection, video loss detection, color cast detection, motion detection
Behavior Analysis Detection	Wire crossing detection, intrusion detection, object abandoned detection, object lost detection, loitering detection, crowd detection, fast moving detection, target stop detection
Sound Detection	Abnormal sound detection and fighting detection
Statistics Detection	People counting, density detection, queue length detection and dwelling detection
Intelligent Grouping Detection	Face detection grouping and behavior analysis grouping
Target Detection	Support face detection
Capture	Support target detail capture
Optimum Selection	Support optimum selection and duplicate removal for captured target images to deliver the best-quality images
Detection Angle	Tilt up or down ±45°, turn right or left ±45°, or lean right or left 45°
Accuracy	Capture rate ≥99%
Minimum Face Size	Able to detect face images with a minimum of 30*30 pixels at1080P
Detection Capability	Able to detect 32 face images simultaneously in a single scene
Face Exposure	Available
Alarm	
Alarm (optional)	2 alarm inputs, 1 on-off output
Alarm Input	I/O input, smart events, SD card removal, SD card full of videos, SD card full of images, network disconnection, heartbeat loss
Alarm Association	I/O output, email, image upload via FTP, audio, alarm info push, SD card recording, SD card snapshot
Storage	
Internal Storage	Supports a Micro SD/SDHC/SDXC card (128G)
NAS Storage	Available
Local PC Recording	Available
System Functions	
Operating System	Windows XP, Win 7, Win 8, Win 10
Browser	IE7 or above
Access Protocol	ONVIF Profile S/G/Q, CGI 2.7
Web Server	Available
Remote Upgrade	Available
Password Protection	Available
Maximum No. of Users	64, with 3 types of users available: administrator, ordinary user, and operator
IP	
Network Port	One RJ45 10/100M self-adaptive Ethernet port
Network Protocols	IPv4/IPv6, TCP, UDP, IGMP, ICMP, IGMPv2/3, DHCP, SNMP (V1, V2, V3), FTP, SMTP, NTP, RTP, RTSP, RTCP, HTTP, HTTPS, SSL, 802.1x, QoS, PPPoE, DNS, DDNS, ARP, UPnP, IP Filter, TLS, Multicast, SIP
IP Address Filter	Support blacklist and whitelist filtering for up to 1024 IP segments
Electrical	
Power Supply	PoE (IEEE 802.3af)/12VDC (±20%)/24VAC (±25%)
Power Consumption	<6W (IR off); <13W (IR on)

Technical specifications

Environmental

Anti-Static	Air discharge 8KV, contact protection 6KV (for all ports)
Surge Protection	Difference mode ± 2 KV, common mode ± 4 KV (for network port and power port)
Operating Temperature	-40°F ~ 140°F (-40°C ~ 60°C)
Storage Temperature	-4°F ~ 140°F (-20°C ~ 60°C)
Operating Humidity	0%~95% RH (non-condensing)
Environmental Rating	IP67
Unit Dimension (HxWxD)	3.33"x3.54"x11.83" (84.6mmx90mmx300.4mm)
Box Dimensions	14.96"x5.98"x5.12" (380mmx152mmx130mm)
Net Weight	2.09lbs. (0.95Kg)
Shipping Weight	2.76lbs. (1.25Kg)

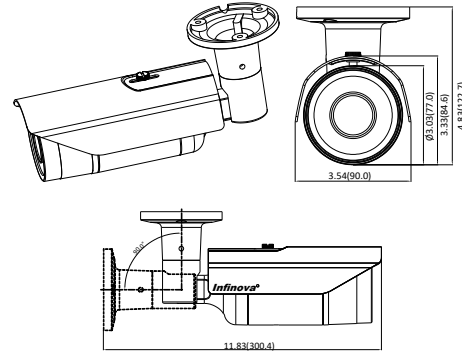
Certifications and Approval

Product Certifications	CE, FCC, BIS
------------------------	--------------

Ordering information

VH211-A50B-BJ0 HD 5MP Intelligent Starlight WDR IR IP Camera, 1/2.8" CMOS, Day/Night, H.265/H.264/M-JPEG, 2.8~12mm motorized zoom lens, 50m IR illumination distance, with audio alarm, outdoor, PoE/12VDC/24VAC

Dimensions



(Unit: inch, in the parentheses is mm)