

VT230-A2 SERIES

HD 2MP SMART STARLIGHT WDR IR IP PTZ DOME CAMERA

Infinova[®]



FEATURES

- Inbuilt 33X HD integrated camera module
- 1/2.8" progressive scanning CMOS sensor
- ICR infrared filter type automatic switch to realize true day/night surveillance
- Starlight-level ultra-low illumination: 0.0001 lux
- Supports multi-frame composite pattern wide dynamic and the maximum dynamic range is 132dB
- HD network video output: 1920x1080@30fps
- Features smart functions and achieves border protection (wire cross and intrusion supported)
- Supports intelligent tracking
- H.265+M-JPEG or H.264+M-JPEG video encoding, three video streams
- Supports dual SD card
- Supports alarm recording and alarm snapshots
- Bi-directional audio, G.711a/G.711u/G.726/AAC standard optional
- 2 alarm inputs and 1 alarm
- Supports motion detection, up to 4 areas
- Supports multiple ways to trigger alarms, such as I/O input, motion detection, intelligent analysis, SD card removal, network disconnection, heartbeat loss, etc.; supports flexible alarm associated configurations, such as I/O output, email, FTP uploading, audio, SD card snapshot and SD card recording
- Supports Region of Interest (ROI) for which 8 regions can be divided
- Allows multiple users to perform live access and parameters settings via Web Server
- Supports preset, autopan, pattern, autoscan, time tour, normal tour, power-on return, etc.
- Supports ONVIF Profile S /G & Profile T
- Provides standard SDK, easy to integrate with third platform
- Supports RS485 control and analog video output for easy debugging
- Outdoor type reaches IP67 protection, an inbuilt heater and air circulation system to avoid icing
- Rugged designed (IK10)
- Supports remote network upgrade

DESCRIPTION

VT230-A2 series is high-definition smart IP dome camera that supports 1920x1080@30fps HD network video output. It adopts H.265/H.264/M-JPEG encoding and its output provides excellent definition and color revivification degree which enables the acquisition of rich and accurate details so as to effectively guarantee smart analysis accuracy.

User-friendly GUI interface design allows users to perform dome PTZ control easily via network and to configure detailed camera parameters settings. At Web interface users can perform dome camera settings and operations by using a mouse which is more convenient than the traditional keyboard control. It also supports area zoom and image PTZ function.

VT230-A2 series dome cameras also feature general dome functions such as preset, pattern, autopan, autoscan, time tour and normal tour.

TECHNICAL SPECIFICATIONS

| | | | |
|-------------------------------------|--|---|--|
| Lens (Visible) | | Exposure | |
| Image Sensor | 1/2.8" Sony progressive scanning CMOS | Auto/Manual/Shutter | |
| Optical Zoom | 33X | Sensitivity | |
| Digital Zoom | 12X | Color mode: 0.001 lux @ F1.6 (AGC ON) | |
| Focal Length | f=4.6~152mm | B/W mode: 0.0001 lux @ F1.6 (AGC ON) | |
| Iris | F1.6~F5.5 | White Balance | |
| Focus | Auto/Manual | Auto/Manual/Outdoor | |
| FOV(H/V/D) | - | Video Adjustment | |
| Lens Mount | - | Brightness, contrast, saturation, chroma, sharpness | |
| Lens (Thermal) | | Noise Reduction | |
| Imager Type | - | 3D | |
| Lens Type | - | S/N Ratio | |
| Spectral Band | - | >62dB | |
| Pixel Size | - | Defog | |
| NETD | - | Available | |
| Focal Length | - | EIS | |
| FOV | - | Available | |
| Video | | Mirror | |
| Camera Resolution (Visible Lens) | 2MP | Horizontal, Vertical | |
| Camera Resolution (Thermal Lens) | - | Corridor Mode | |
| Max. Coding Capacity (Visible Lens) | Major stream: H.264/H.265- 30fps@1920x1080 Minor stream: H.264/H.265- 30fps@1920x1080 Third stream: M-JPEG- 5fps@1920x1080 | - | |
| Max. Coding Capacity (Thermal Lens) | - | Day/Night Switching | |
| Data Rate | VBR/CBR Major stream: 256kbps~10240kbps | ICR | |
| Video Compression | H.265 /H.264/M-JPEG independent coding | AGC | |
| Multi-Streaming | Three-stream independent output | Available | |
| Video Rotation | Video can be rotated by 90°, 180° | BLC | |
| Audio | | Available | |
| Audio Compression | G.711-A/ G.711-U/ G.726/ AAC | HLC | |
| Sample Rate | 8KHz (for G.711-A/G.711-U/G.726), 16KHz, 32KHz, 44.1KHz or 48KHz (for AAC) | Available | |
| Audio Interface | 1 input, linear level, impedance: 1kΩ 1 output, linear level, impedance: 600Ω | Privacy Mask | |
| Two-way Audio | Available | Up to 4 definable zones | |
| Mic & Speaker | - | ROI | |
| Image | | Up to 8 definable zones | |
| Shutter | Auto/Manual (1/1~ 1/32000s) | OSD | |
| WDR | Up to 132dB | Supported | |
| | | Pan/Tilt Functions | |
| | | Preset | |
| | | 1024 | |
| | | Pattern | |
| | | 12 | |
| | | Autopan | |
| | | 12 | |
| | | Normal Tour | |
| | | 16 groups (each tour can link to 14 actions, optional with Presets 1~32, Patterns 1~4 and Autopans 1~4) | |
| | | Home Return | |
| | | Available | |
| | | Timing Tour | |
| | | Available | |
| | | Autoscan | |
| | | Available | |
| | | Area Zoom | |
| | | Available | |
| | | IR Illumination | |
| | | Smart-IR | |
| | | - | |
| | | Wave Length | |
| | | - | |
| | | Night Vision Distance | |
| | | - | |
| | | Temperature Measurement | |
| | | Screening Function | |
| | | - | |
| | | Measurement | |
| | | - | |
| | | Measurement Distance | |
| | | - | |
| | | Measurement Range | |
| | | - | |
| | | Accuracy | |
| | | - | |

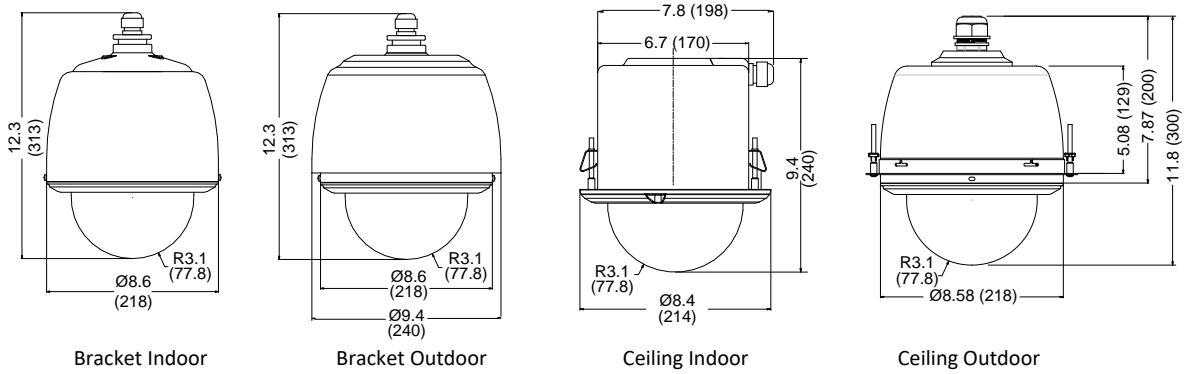
TECHNICAL SPECIFICATIONS

| | | | |
|-------------------------|--|--------------------------------------|---|
| Smart Analytics | | | |
| Video Analytics | Motion detection- Up to 4 detection regions Smart Video Analysis- Wire cross, area intrusion Intelligent Tracking- Rule-triggered tracking and manual-triggered tracking | Operating Temperature | -40°F ~ +158°C (-40°C ~ +70°C) (outdoor) -4°F ~ +140°C (-20°C ~ +60°C) (PoE+, outdoor) |
| Storage | | Storage Temperature | -4°F ~ 158°F (-20°C ~ 70°C) |
| Storage Slots | Supports Single card | Operating Humidity | ≤95% RH |
| Built-in Storage | Up to 512GB | Environmental Rating | IP67 |
| NAS Storage | - | Impact Resistance | IK10 |
| Local PC Recording | Available | Mechanical | |
| Alarm | | Manual Speed | Pan: 0.01° ~ 800°/s; Tilt: 0.01° ~ 240°/s |
| Alarm Ports | 2 alarm inputs, 1 on/off output | Preset Speed | Up to 500°/s |
| Alarm Input | I/O input, motion detection, intelligent analysis, SD card removal, network disconnection, heartbeat loss | Rotation Angle | Pan: 360°; Tilt: -5° ~ 90° (auto-flip) |
| Alarm Association | I/O output, email, FTP picture uploading, audio, SD card snapshot, SD card recording | Preset Accuracy | <±0.1° |
| System Functions | | Electric Motor | Stepping motor |
| Operating System | Win 7 or above versions | Electrical | |
| Browser | IE8 or above versions | Power Supply | PoE+ (IEEE802.3at type2 Class4)/ 24VAC/ 24VDC |
| Access Protocol | ONVIF Profile S/G/T, CGI 2.7 | Power Consumption | 24VAC: 35W (outdoor) 24VDC: 33W (outdoor) PoE+: 25W (max.) |
| Multiple Access | Up to 5-ch simultaneous access | Physical | |
| Web Server | Available | Product Dimension (L×W×H) or (H x D) | Indoor bracket: 12.3"×Φ8.6" (313mm×Φ218mm) Indoor ceiling: 9.4" × Φ8.4" (240mm× Φ214mm) Outdoor bracket: 12.3"×Φ9.4"(313mm×Φ240mm) Outdoor ceiling: 11.8"×Φ8.6" (300mm×Φ218mm) |
| Remote Upgrade | Available | Package Dimension (L x W x H) | 19.09" × 11.02" × 11.81" (485mm × 280mm × 300mm) |
| Password Protection | Available | Unit Weight | Indoor bracket: 8.38lbs. (3.8kg); Indoor ceiling: 6.79lbs. (3.08kg) Outdoor bracket: 9.44lbs. (4.28kg) Outdoor ceiling: 9.04lbs. (4.1kg) |
| RS485 Port | Supports, 1*RS485 | Shipping Weight | Indoor bracket: 14.2lbs. (6.45kg); Indoor ceiling: 12.02lbs. (5.45kg) Outdoor bracket: 15.87lbs. (7.2kg) Outdoor ceiling: 15.04lbs. (6.82kg) |
| Analog Video Output | Supports, 1*BNC port | Certifications | |
| Maximum Number of Users | 32, with 3 types of users available: administrator, normal user, and operator | Product Certifications | CE, FCC, RoHS, IP67, IK10, UL |
| Wiper | - | | |
| Network | | | |
| Network Interface | 1*RJ45 10/100M self-adaptive Ethernet port | | |
| Network Protocols | IPv6, TCP, UDP, IGMP, DHCP, FTP, SNMP, SMTP, NTP, RTP, RTSP, RTCP, HTTP, HTTPS, TSL, SSL, QoS, PPPoE, DNS, DDNS, ARP, ICMP, UPnP, IP filter | | |
| IP Address Filtering | Support blacklist and whitelist filtering | | |
| Network Delay | <160ms | | |
| Environmental | | | |
| Anti-Static | Air discharge 9KV, Contact protection 7KV | | |
| Surge Protection | ±6KV | | |

ORDERING INFORMATION

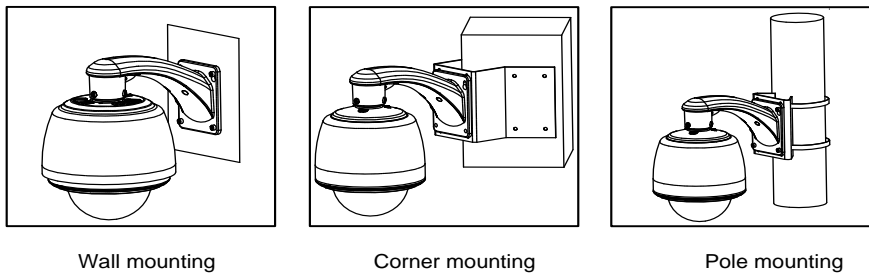
| | |
|---------------------|---|
| VT230-A233-E031 | HD IP dome cameras, 2.0MP, 33X, 1/2.8" CMOS, day/night, H.265/H.264/MJPEG, with audio & alarm, indoor, ceiling mount, PoE+/24VDC/24VAC |
| VT230-A233-E041 | HD IP dome cameras, 2.0MP, 33X, 1/2.8" CMOS, day/night, H.265/H.264/MJPEG, with audio & alarm, outdoor, ceiling mount, PoE+/24VDC/24VAC |
| VT230-A233-E051 | HD IP dome cameras, 2.0MP, 33X, 1/2.8" CMOS, day/night, H.265/H.264/MJPEG, with audio & alarm, indoor, bracket mount, PoE+/24VDC/24VAC |
| VT230-A233-E061 | HD IP dome cameras, 2.0MP, 33X, 1/2.8" CMOS, day/night, H.265/H.264/MJPEG, with audio & alarm, outdoor, bracket mount, PoE+/24VDC/24VAC |
| Accessories | |
| Mount | |
| V1761K | Wall Mount, bayonet, 10 inches |
| V1762K | Corner Mount, bayonet, 10 inches |
| V1763K | Pole-side Mount, bayonet, 10 inches |
| Power Supply | |
| N3922-75P-2 | Smart POE Injector, 100VAC-240VAC input, 75W output |

DIMENSIONS



(Unit: inch, in the parentheses is mm)

MOUNTING



Wall mounting

Corner mounting

Pole mounting