

VT231-B2 SERIES

HD 2MP SMART STARLIGHT WDR IR IP PTZ DOME CAMERA

Infinova[®]



FEATURES

- Built-in 30X HD integrated camera module
- 1/2" Progressive scanning CMOS sensor
- ICR infrared filter type automatic switch to realize true day/night surveillance
- Starlight-level ultra-low illumination
- Supports multi-frame composite pattern wide dynamic and the maximum dynamic range is 120dB
- Inbuilt efficient infrared lamps, wave length 850nm, to ensure stable long-term use and reduce maintenance cost
- Night vision distance up to 200 meters
- The ways of turning on the infrared lamps can be flexible to meet diversified surveillance environment demands
- The infrared power is automatically adjusted based on dome drive zooming or manually to optimize lighting effects in the night
- HD network video output: 1920×1080@60fps
- Features smart functions to achieve border protection (wire cross, intrusion)
- Supports intelligent tracking
- H.265+M-JPEG or H.264+M-JPEG video encoding, three streams
- Supports dual SD card
- Supports alarm recording and alarm snapshots
- Bi-directional audio, G.711-A/G.711-U/G.726/AAC standard optional
- Two alarm inputs and one alarm output
- Supports motion detection, 4 detecting areas dividable
- Supports Region of Interest (ROI), 8 regions dividable
- Allows multiple users to perform live access and parameters settings via Web Server
- Supports preset, autopan, pattern, autoscan, time tour, normal tour, power-on return, etc.
- Supports ONVIF Profile S/G & T standard
- Supports RS485 control and analog video output for easy debugging
- IP67 protection rate, inbuilt a heater and air circulation system to avoid icing
- IK10
- With Window wiper
- Supports water-proof breather valve
- Supports remote network upgrade

DESCRIPTION

VT231-B2 series HD IR IP dome camera provides high quality video with the resolution up to 1920x1080@60fps, adopts H.265/H.264/M-JPEG compression formats, and boasts of excellent resolution and color reproduction ability to ensure richer and more accurate details to be acquired and also guarantee the accuracy of intelligent analysis in a more effective way.

This product adopts large power LED infrared lamps, with infrared wave length 850nm, long night vision distance up to 200m, strong illumination. The IR lamps can turn on or off automatically based on environmental lighting conditions or can be manually adjusted. The IR illumination allows flexible adjustment so as to reduce IR lamp calorific value and extend its service life.

User-friendly GUI interface design allows users to perform dome PTZ control easily via network and to configure detailed camera parameters settings. At Web interface users can perform dome camera settings and operations by using a mouse which is more convenient than the traditional keyboard control. It also supports area zoom and image PTZ function.

VT231-B2 series dome cameras also feature general dome functions such as preset, pattern, autopan, autoscan, time tour and normal tour.

TECHNICAL SPECIFICATIONS

Lens (Visible)		Image	
Image Sensor	1/2" Sony progressive scanning CMOS	Shutter	Auto/Manual (1/1~1/32000s)
Optical Zoom	30X	WDR	Up to 120dB
Digital Zoom	12X	Exposure	Auto/Manual/Shutter
Focal Length	f=6~180mm	Sensitivity	Color mode: 0.0003 lux @ F1.6 (AGC ON); B/W mode: 0.0001 lux @ F1.6 (AGC ON); 0 lux (IR ON)
Iris	F1.5~F4.8	White Balance	Auto/Manual/Outdoor
Focus	Auto/Manual	Video Adjustment	Brightness, contrast, saturation, chroma, sharpness
FOV(H/V/D)	H: 2°~59°; V: 1°~34°; D: 2°~66°	Noise Reduction	3D
Lens Mount	-	S/N Ratio	>62dB
Lens (Thermal)		Defog	Available
Imager Type	-	EIS	Available
Lens Type	-	Mirror	Horizontal, Vertical
Spectral Band	-	Corridor Mode	-
Pixel Size	-	Day/Night Switching	ICR
NETD	-	AGC	Available
Focal Length	-	BLC	Available
FOV	-	HLC	Available
Video		Privacy Mask	Up to 4 definable zones
Camera Resolution (Visible Lens)	2MP	ROI	Up to 8 definable zones
Camera Resolution (Thermal Lens)	-	OSD	Supported
Max. Coding Capacity (Visible Lens)	Major stream: H.264/H.265-60fps@1920x1080 Minor stream: H.264/H.265-30fps@1920x1080 Third stream: M-JPEG -5fps@1920x1080	Pan/Tilt Functions	
Max. Coding Capacity (Thermal Lens)	-	Preset	1024
Data Rate	VBR/CBR Major stream: 256kbps~1024kbps	Pattern	12
Video Compression	H.265 /H.264/M-JPEG independent coding	Autopan	12
Multi-Streaming	Three-stream independent output	Normal Tour	16 groups (each tour can link to 14 actions, optional with Presets 1~32, Patterns 1~4 and Autopans 1~4)
Video Rotation	Video can be rotated by 90°, 180°	Home Return	Available
Audio		Timing Tour	Available
Audio Compression	G.711-A/ G.711-U/ G.726/ AAC	Autoscan	Available
Sample Rate	8KHz (for G.711-A/G.711-U/G.726) 16KHz, 32KHz, 44.1KHz or 48KHz (for AAC)	Area Zoom	Available
Audio Interface	1 input, linear level, impedance: 1kΩ 1 output, linear level, impedance: 600Ω	IR Illumination	
Two-way Audio	Available	Smart-IR	Available
Mic & Speaker	-	Wave Length	850nm
		Night Vision Distance	200m
		Temperature Measurement	
		Screening Function	-
		Measurement	-

TECHNICAL SPECIFICATIONS

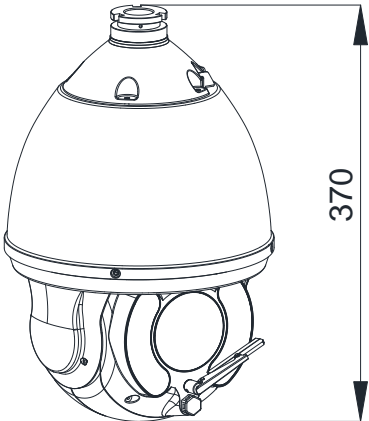
Measurement Distance	-
Measurement Range	-
Accuracy	-
Smart Analytics	
Video Analytics	Motion Detection - Up to 4 areas Smart Video Analysis - Wire cross, area intrusion, intelligent tracking
Storage	
Storage Slots	Supports dual cards
Built-in Storage	Up to 512GB
NAS Storage	-
Local PC Recording	Available
Alarm	
Alarm Ports	2 alarm inputs, 1 on/off output
Alarm Input	I/O input, motion detection, intelligent analysis, SD card removal, network disconnection, heartbeat loss
Alarm Association	I/O output, email, FTP picture uploading, audio, SD card snapshot, SD card recording
System Functions	
Operating System	Win 7 or above versions
Browser	IE8 or above versions
Access Protocol	ONVIF Profile S/G/T, CGI 2.7
Multiple Access	Up to 5-ch simultaneous access
Web Server	Available
Remote Upgrade	Available
Password Protection	Available
RS485 Port	Supports, 1*RS485
Analog Video Output	Supports, 1*BNC port
Maximum Number of Users	32, with 3 types of users available: administrator, normal user, and operator
Wiper	Available
Network	
Network Interface	1*RJ45 10/100M self-adaptive Ethernet port
Network Protocols	IPv6, TCP, UDP, IGMP, DHCP, FTP, SNMP, SMTP, NTP, RTP, RTSP, RTCP, HTTP, HTTPS, TSL, SSL, QoS, PPPoE, DNS, DDNS, ARP, ICMP, UPnP

IP Address Filtering	Support blacklist and whitelist filtering
Network Delay	<160ms
Environmental	
Anti-Static	Air discharge 14KV, Contact protection 8KV
Surge Protection	±8KV
Operating Temperature	-49°F~158°F (-45°C~70°C) (outdoor) -4°F~140°F (-20°C~60°C) (PoE+, outdoor)
Storage Temperature	-4°F~140°F (-20°C~60°C)
Operating Humidity	≤ 95% RH
Environmental Rating	IP67
Impact Resistance	IK10
Mechanical	
Manual Speed	Pan: 0.01° ~ 1000°/s; Tilt: 0.01° ~ 300°/s
Preset Speed	Up to 400°/s
Rotation Angle	Pan: 360°; Tilt: -5° ~ 90° (auto-flip)
Preset Accuracy	<±0.1°
Electric Motor	Stepping motor
Electrical	
Power Supply	PoE+ (IEEE802.3at type2 Class4)/ 24VAC/ 24VDC
Power Consumption	<17W (idle state); <55W (Heater on, IR lamp manually adjusted to maximum); <50W (PoE+)
Physical	
Product Dimension (L×W×H) or (H x D)	14.6" × Φ9.04" (370mm × Φ229.6mm)
Package Dimension (L x W x H)	19.09" × 11.02" × 11.81" (485mm × 280mm × 300mm)
Unit Weight	12.79 lbs (5.8kg)
Shipping Weight	16.76 lbs (7.6kg)
Certifications	
Product Certifications	CE, FCC, RoHS, IP67, IK10, UL

ORDERING INFORMATION

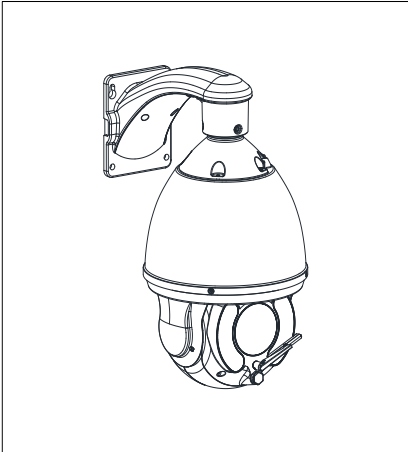
VT231-B230-C061	HD Megapixel IR IP PTZ Dome Camera, 2MP, 30X, 1/2" CMOS, Day/night, H.265/H.264/M-JPEG, With audio alarm, With window wiper, Outdoor, Bracket mount, PoE/24VDC/24VAC
Accessories	
Mount	
V1761K	Wall Mount, bayonet, 10 inches
V1762K	Corner Mount, bayonet, 10 inches
V1763K	Pole-side Mount, bayonet, 10 inches
Power Supply	
N3922-24D-3	AC to DC Power Supply, Plug-In, 230VAC, Output 24VDC, 3A
N3922-24A-3	AC to AC Power Supply, Plug-In, 230VAC, Output 24VAC, 3A
N3922-75P-2	Smart POE Injector, 100VAC-240VAC input, 75W output

DIMENSIONS

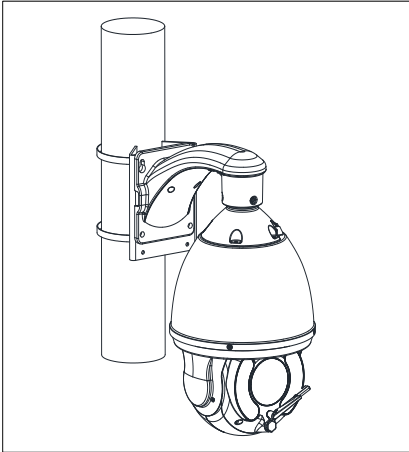


(Unit: inch, in the parentheses is mm)

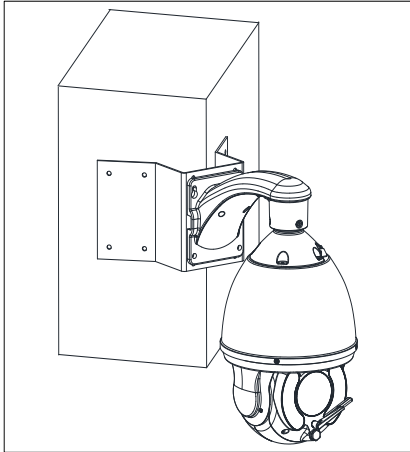
MOUNTING



Wall mounting



Pole mounting



Corner mounting