

Indoor/Outdoor high-speed IP PTZ camera system with IOP and multi-protocol capabilities



DESCRIPTION

Infinova's V1492N series integrated high-speed IP Pan/Tilt/Zoom camera system integrates the decoder, pan/tilt and housing together creating an easy-to-install system. The V1492N series camera also includes an Integrated Optics Package (IOP). For a wide range of applications, the V1492N series cameras feature a choice of many of mainstream IOP cameras (such as HITACHI, SONY.)

A powder-coated, aluminum construction makes the V1492N series cameras ideal for either indoor or outdoor applications. The system has an absolute operating temperature range of -22°F ~ 140°F (-30°C ~ 60°C). The V1492N series include a window wiper. The wiper is completely integrated into the enclosure and does not interfere with the viewing range of the system.

With 10/100M Base-T self-adaptive network functions, the V1492N series can output MPEG-4 format video. Strong capability of network remote control not only allows the relative software to search network video, but encoding sets the IP address, subnet mask & gateway of the video server via Internet Explorer, as well as video encoding, e.g., pre-define encoding parameters, data transmission rate, image quality, etc.

FEATURES

- SONY cameras
- High strength aluminum alloy, high temperature resistance, anti-corruption
- Integrated with INFINOVA and PELCO-P/D, self-adaptive protocol
- Set address and baud rate via software
- 254 selectable addresses
- Up to 255 presets with labels
- 6 programmable tours
- 4 programmable patterns
- 4 Auto-Pan
- 1 Auto-Scan
- Automatically return to home position
- 1 privacy area function
- 16 programmable zones with 16 characters each
- 18X, 26X and 36X optic zoom available
- Window wiper, built-in heater, window defroster/defogger included
- Network video transmission and network control function
- MPEG-4 coding method, real time transmission video image
- View and control cameras via Web Server or V2216 software by multiple users
- Password protection
- Manually IP address set up
- Support Dynamic I/P Frame Ratio, dynamic quality and compression rate adjustment (via network)
- Snapshot function
- Controllable Digital Focus (Digital Zoom)
- Remote Software Updating through the network
- Operational in 90 mph wind conditions; withstanding wind velocity of up to 130 mph
- Multi-mounting methods (indoor or outdoor)

ORDERING INFORMATION

V1492N-18L05	Integrated High-speed IP Pan/Tilt/Zoom Camera System (MPEG-4 Format, NTSC, 18X, 24 VDC)
V1492N-18L06	Integrated High-speed IP Pan/Tilt/Zoom Camera System (MPEG-4 Format, NTSC, 18X, 24 VAC)
V1492N-18L07	Integrated High-speed IP Pan/Tilt/Zoom Camera System (MPEG-4 Format, NTSC, 18X, 120 VAC)
V1492N-18L15	Integrated High-speed IP Pan/Tilt/Zoom Camera System (MPEG-4 Format, PAL, 18X, 24 VDC)
V1492N-18L16	Integrated High-speed IP Pan/Tilt/Zoom Camera System (MPEG-4 Format, PAL, 18X, 24 VAC)
V1492N-18L18	Integrated High-speed IP Pan/Tilt/Zoom Camera System (MPEG-4 Format, PAL, 18X, 230 VAC)
V1492N-26L05	Integrated High-speed IP Pan/Tilt/Zoom Camera System (MPEG-4 Format, NTSC, 26X, 24 VDC)
V1492N-26L06	Integrated High-speed IP Pan/Tilt/Zoom Camera System (MPEG-4 Format, NTSC, 26X, 24 VAC)
V1492N-26L07	Integrated High-speed IP Pan/Tilt/Zoom Camera System (MPEG-4 Format, NTSC, 26X, 120 VAC)
V1492N-26L15	Integrated High-speed IP Pan/Tilt/Zoom Camera System (MPEG-4 Format, PAL, 26X, 24 VDC)
V1492N-26L16	Integrated High-speed IP Pan/Tilt/Zoom Camera System (MPEG-4 Format, PAL, 26X, 24 VAC)
V1492N-26L18	Integrated High-speed IP Pan/Tilt/Zoom Camera System (MPEG-4 Format, PAL, 26X, 230 VAC)
V1492N-36L05	Integrated High-speed IP Pan/Tilt/Zoom Camera System (MPEG-4 Format, NTSC, 36X, 24 VDC)
V1492N-36L06	Integrated High-speed IP Pan/Tilt/Zoom Camera System (MPEG-4 Format, NTSC, 36X, 24 VAC)
V1492N-36L07	Integrated High-speed IP Pan/Tilt/Zoom Camera System (MPEG-4 Format, NTSC, 36X, 120 VAC)
V1492N-36L15	Integrated High-speed IP Pan/Tilt/Zoom Camera System (MPEG-4 Format, PAL, 36X, 24 VDC)
V1492N-36L16	Integrated High-speed IP Pan/Tilt/Zoom Camera System (MPEG-4 Format, PAL, 36X, 24 VAC)
V1492N-36L18	Integrated High-speed IP Pan/Tilt/Zoom Camera System (MPEG-4 Format, PAL, 36X, 230 VAC)

Recommended Installation Mounts

V1662-W1	Wall Mount, 15"
V1662-S1	Pole Side Mount, 15"
V1662-C1	Corner Mount, 15"

SPECIFICATIONS

General

Decoder: INFINOVA, PELCO-P/D
 Maximum Presets: 255
 Tour: 6
 Pattern: 4
 AutoPan: 4
 AutoScan: 1

Video

Video Coding: MPEG-4
 Resolution Mode: D1/ 2CIF/ CIF/ QCIF
 Image Resolution:
 NTSC: 720x480, 704x240, 352x240, 176x120
 PAL: 720x576, 704 x 288, 352x288, 176x144
 Frame Rate (maximum):
 NTSC: 720 x 480, 30 fps / 720 x 240, 60 fps
 (Interlace scanning)
 PAL: 720 x 576, 25 fps / 720 x 288, 50 fps
 (Interlace scanning)
 Ethernet Port: 10/100M Base-T self-adaptive, RJ45
 Ethernet Protocol: TCP/IP, DHCP, HTTP, SNMP, ICMP

Preset Speed

Pan: Maximum 100°/sec.
 Tilt: Maximum 30°/sec.
 Pan Rotation Angle: 360°
 Tilt Rotation Angle: +40° ~ -90°
 Construction: Die-cast, extruded and sheet aluminum;
 stainless steel hardware
 Weight: 21 lbs. (9.5 kg)
 Load: 33 lbs. (15 kg)
 Environmental Rating: IP66
 Mounting Method: Desktop, wall, pole side, corner, pole top

Electrical

Input Voltage: 24 VDC / 24 VAC / 120 VAC / 230 VAC
 Power: < 85W
 Heater: Thermostatically controlled

Mechanical

Variable Pan/Tilt Speed

Pan: 0.1°~50°/sec.
 Tilt: 0.1°~25°/sec.

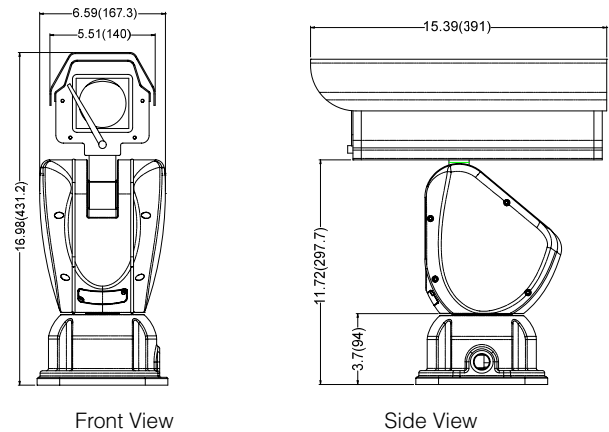
Environmental

Environment Air Pressure: ≤ 1.5 Mpa
 Operation: -22° F ~ 140° F (-30° C ~ 60° C)
 Humidity: ≤ 95% RH (non-condensing)

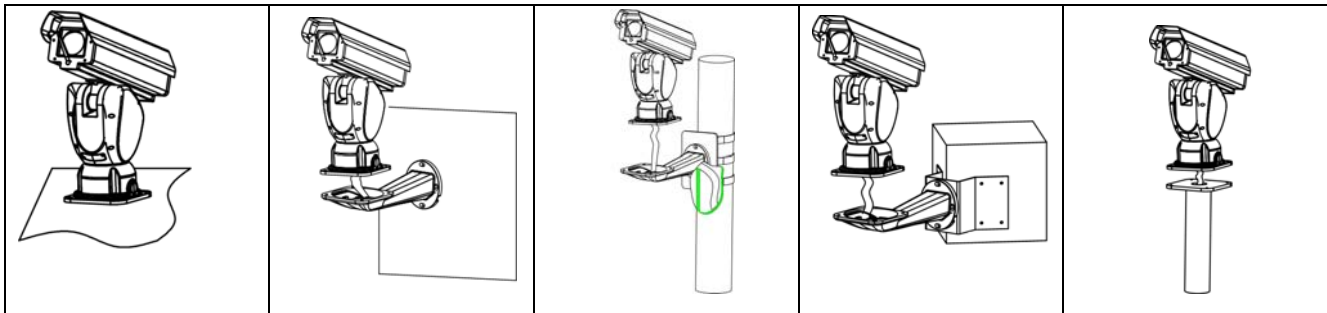
Auto Temperature Control

Heater: Turns on at 46° F ± 9° F (8° C ± 5° C)
 Turns off at 68° F ± 9° F (20° C ± 5° C)

DIMENSIONS (Unit: inch, in the parentheses is mm)



MOUNTING



Desktop Mounting

Wall Mounting

Pole Side Mounting

Corner Mounting

Pole Top Mounting

CAMERA/OPTICS

Pan/tilt Model	V1492N-18L	V1492N-26L	V1492N-36L
Optic Zoom	18X	26X	36X
Video Type	PAL/NTSC (Color)	PAL/NTSC (Color, B/W)	PAL/NTSC (Color, B/W)
Scanning System	2:1 Interlace scanning		
Image Sensor	1/4" Interlace scanning CCD		
Effective Pixels	PAL/440K:752 (H) x 582 (V) NTSC/380K:768 (H) x 494 (V)	PAL/440K:752 (H) x 582 (V) NTSC/380K:768 (H) x 494 (V)	PAL/440K:752(H) x 582 (V) NTSC/380K:768 (H) x 494 (V)
Aperture/Focal Length	F1.4 ~ F3.0 f =4.1 ~ 73.8 mm	F1.6 ~ F3.8 f=3.5 ~ 91 mm	F1.6-4.5 f=3.4~122.4mm
Angle of View	48° (Wide) / 2.8° (Tele)	54.2° (Wide) / 2.2° (Tele)	57.8° (Wide) / 1.7° (Tele)
Focal Range	0.29 m (Wide) ~ 0.8 m (Tele)	0.32 m (Wide) ~ 1.5 m (Tele)	0.32 m (Wide) ~ 1.5 m (Tele)
Sensitivity	1.0 lux (PAL: 1/50s,NTSC: 1/60s)	Color Mode (IR-Cut On): 1 lux (NTSC: 1/60s, PAL: 1/50s) 0.07 lux (NTSC: 1/4s, PAL: 1/3s) B/W Mode (IR-Cut Off): 0.15 lux (NTSC: 1/60s, PAL: 1/50s) 0.01 lux (NTSC: 1/4s, PAL: 1/3s)	Color Mode (IR-Cut On): 1.4 lux @ F1.6 50 IRE (NTSC: 1/60s, PAL: 1/50s) 0.1lux @ F.1.6 50 IRE: (NTSC: 1/4s, PAL: 1/3s) B/W Mode (IR-Cut Off): 0.01 lux@F1.6 50IRE: (NTSC: 1/4s, PAL: 1/3s)
Resolution	480 TVL		530 TVL
S/N Ratio	>50 dB		
Video Output	1.0 ± 0.2 V _{p-p}		
Backlight Compensation	Off/On		
Sync System	Internal/External		
WDR	/	/	Off/On
Digital Zoom	1~12X adjustable		
DSS	No	Yes	Yes
Focus	Auto/Manual (Near - Far)		
White Balance	Auto/Manual		
Shutter Speed	Auto: default set Manual: PAL: 1/50 ~ 1/10000s NTSC: 1/60 ~ 1/10000s	Auto: default set Manual: PAL: 1/1 ~ 1/10000s NTSC: 1/1 ~ 1/10000s	Auto: Default Set Manual: PAL: 1/1~1/10000s NTSC: 1/1~1/10000s
Iris	Auto/Manual		